



RONGHENG
THREE-LOBED
ROOTS BLOWER
三叶型罗茨鼓风机

南通荣恒环保设备有限公司
Nantong RongHeng Environmental Equipment Co.,Ltd

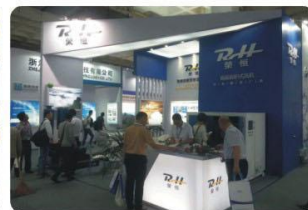
The extension of quality spread all over the world

拓品质 传天下

有 利 服 誠
量 新 各 信

南通榮恒環保設備有限公司
有限公司建二〇一三年

曲 松 平



公司简介
Introduction

南通荣恒环保设备有限公司，是从事各类鼓风机、真空泵等产品研发、制造、销售和服务于一体的国家级高新技术企业，通过《ISO9001:2015质量管理体系》、《ISO14001:2015环境管理体系》、《GB/T29490-2013知识产权管理体系》等一系列标准认证，江苏省AAA级信用企业。历经三十年的专业历程，产品涵盖：三叶罗茨风机、空气悬浮鼓风机、回转式风机、真空泵、各类消声产品等，主要应用于污水处理、烟尘脱硫、化工合成、气力输送、高炉冶炼、水产养殖、造纸等领域。



Nantong Rongheng Environmental Protection Equipment Co., Ltd. is a national high-tech enterprise which is engaged in the R&D, manufacturing, sales and service of all kinds of blowers, vacuum pumps and other products, passed "ISO9001:2015 quality management system", "ISO14001:2015 environment management system", "GB/T29490-2013 intellectual property management system" and other certification, and is a AAA Credit Enterprise Of Jiangsu Province. After 30 years of professional experience, products cover: Three leaves roots blower, air suspension blower, rotary fan, vacuum pump, all kinds of silencing products, mainly used in the sewage treatment, smoke desulphurization, chemical synthesis, pneumatic transmission, blast furnace process, aquaculture, paper making and other fields.

荣恒公司技术力量雄厚、设计手段先进、加工设备精良，质量体系完善，在产品的多项关键技术上实现重大突破，能效、噪音等主要性能指标达到世界先进水平。其技术团队是中国HJ/T251-2006《环境保护产品技术要求 罗茨鼓风机》行业标准的主要制订者。

Rongheng Company has strong technical force, advanced design methods, excellent processing equipment and perfect quality system, achieve major breakthroughs in many key technologies of products, energy efficiency, noise and other major performance indicators have reached the world's advanced level. Its technical team is the main author of the Industry standards-Chinese HJ/T251-2006 Specifications for environmental protection product - Roots blower.



产品特性

我公司生产的RH三叶罗茨鼓风机，在原有成功机型的基础上，采用先进的设计技术，自主开发了CONCH转子型线，保持风机在工作过程中的平稳啮合（转子啮合不平稳度小于0.01mm），实现罗茨风机噪声、流量、容积效率的平衡。

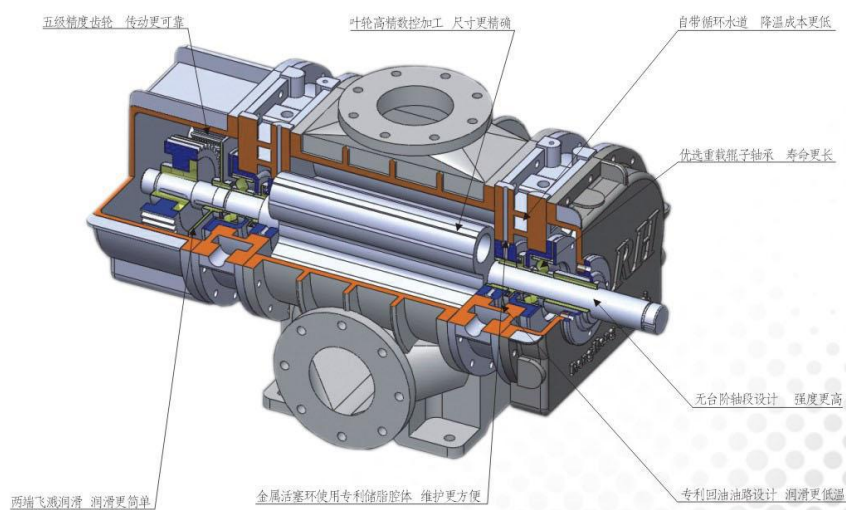
The RH three leaves roots blower produced by our company, based on the original successful model, adopted advanced design technology, independently develop the CONCH rotor profile, maintain the smooth engagement of the fan in the working process (The rotor meshing instability is less than 0.01mm), and realize the balance of the volume efficiency of roots blower noise.

性能优势：

- 【低噪音】转子采用CNC数控加工技术，精度高，啮合平稳，噪音低
- 【微振动】转子动平衡等级G2.5，高速平稳，振动小
- 【稳定性】主轴无台阶设计，强度高
- 【耐高压】优化结构设计、整机耐压可达1MPa。
- 【无泄漏】多重密封技术组合运用，无泄漏,安全环保。
- 【适应工况】风冷/水冷/开式墙板一体化设计，应对工况复杂变化。
- 【节能环保】运行平顺，压缩效率高，风机能耗低。

Performance Advantages:

- (Low noise) The rotor adopts CNC numerical control machining technology, with high accuracy, stable meshing and low noise.
- (Micro vibration) The rotor dynamic balance grade G2.5, high speed and smooth, small vibration
- (Stability) The spindle has no step design and high strength.
- (High pressure resistance) The optimized structure design, the whole machine can withstand pressure up to 1MPa.
- (No leakage) combination of multiple sealing technology, no leakage, safety and environmental protection.
- (Adaptation working condition) Integrated design of forced air cooling, water-cooling and open type wallboard, to cope with complex operating conditions.
- (Energy saving and environmental protection) Smooth operation, high compression efficiency, low energy consumption of fan.



产品展示



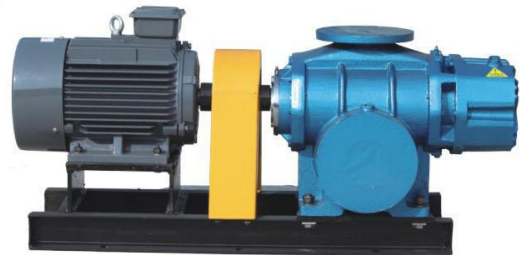
成套型风机房



密集成套风机



皮带型风机



直联型风机



变频防爆型风机

产品配件



高效空气滤芯
high-efficient air filter cartridge



循环水冷套件
circulating water cooling unit



抗式消音器
reactibe muffler



热交换器
heat exchanger



远程监控系统
remote monitoring system



真空消音过滤桶
vacuum filter cartridge muffler



气液分离器
gas-liquid separator

**若您有其它的需求，可与我
公司联系，为您量身定制。**

If you have any other requirements,
please contact with our company to
customize it for you.

齿轮展示



五级精度的同步齿轮具备最小的侧面间隙，齿轮分别采用20CrMnTi 和 40Cr 的材质，实现软硬齿面结合，齿轮磨合期过后，磨损会大幅减少，配合也会更加精密，同时噪音表现非常出色。

Five grade precision synchronization gears are implemented with minimum side clearance. The gears are made of 20CrMnTi and 40Cr to achieve the combination of soft and hard operating conditions. After a break period, the wear will be significantly reduced, the operation will be more sophisticated and the noise will be greatly reduced.

轴承展示



应对不同的工况，会灵活配备DDU系列全封闭免维护轴承、双列角接触球轴承、重载辊子轴承、调心滚子轴承、深沟球轴承等轴承形式。在满足工况要求的前提下，最大程度降低轴承对传动的影响、提高传动效率、降低传动能耗损失。

Depending on the different working condition, RH's flexible implements DDU totally enclosed maintenance-free bearing, double row angular contact ball bearings, overloaded roller bearings, Spherical roller bearing. Considering the working condition first, RH minimizes the impact of bearing on the drive to improve the transmission efficiency, and reduce the transmission energy loss.

叶轮展示



采用先进的CNC planer 数控加工，确保转子精度高达0.02mm。高精度的加工最大程度避免了加工误差对CONCH型线性性能的影响，确保转子在实际工作时的高性能输出。

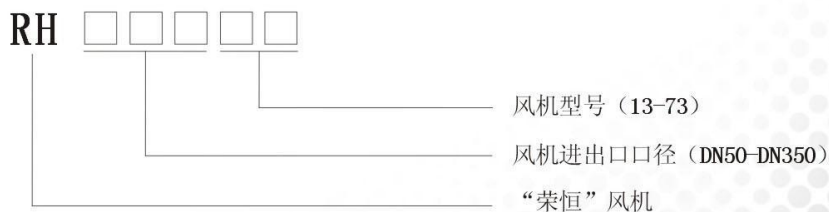
Using advanced CNC planer, RH ensures the accurate rate of rotor is 0.02mm. The high-precision process maximizes the effect upon rotors during processing and ensures the rotors operating at their highest efficiency.

型号说明**为选定计划所适用的风机，请尽可能详细联系如下事宜：**

- 1、用途：区别出鼓风机用和真空用
- 2、气体性质：气体名称、状态、温度有无腐蚀性和爆炸性在混合气体的情况下请注明组成比和分子量
- 3、压力：单位kgf/cm²，mmH₂O，mmHg，Pa等表压和绝对压力的区别有无比背压
- 4、风量：单位m³/min
 基准状态（N：0℃、一个标准大气压，干燥气体的状态风量）
 标准状态（S：20℃、一个标准大气压，相对湿度65%的状态风量）
 吸入状态（吸入温度压力，湿度的表示值）
 以上三种风量可以换算
 如换算Q1为Q2时：
 $Q2=Q1 \cdot P1/P2 \cdot T2/T1$
 Q1：绝对压力P1（mmH₂O）绝对温度T1（K）状态的风量（m³/min）
 Q2：绝对压力P2（mmH₂O）绝对温度T2（K）状态的风量（m³/min）
- 5、设置场地：室内、室外的区别；环境温度、有无危险场地
- 6、电机：型号、输出功率、极数、其他要求
- 7、驱动方式：联轴器、三角皮带
- 8、其它：运转时间、是否需要附件和备件、涂漆颜色
- 9、规定压力的空气量的需用范围为±5%

基本单位与其它压力单位的换算表

	Pa	kgf/cm ²	mmH ₂ O	mmHg
压 力	1	1.01972X10 ⁻⁵	1.01972X10 ⁻¹	7.50062X10 ⁻³
	1X10 ⁵	1.01972	1.01972X10 ⁴	7.50062X10 ²
	9.80665X10 ⁴	1	1X10 ⁴	7.35559X10 ²
	1.01325X10 ⁵	1.03323	1.03323X10 ⁴	7.6X10 ²
	9.80665X10 ⁴	1X10 ⁻⁴	1	7.35559X10 ⁻²
	1.33322X10 ²	1.35951X10 ⁻³	1.35951X10	1

产品型号说明

应用领域



污水处理



水产养殖



工业废气脱硫



粉末颗粒输送



特殊气体输送



造纸



喷砂



焚烧炉



电镀槽

罗茨风机选型参数表

型号	转速(n)	升压 ΔP		进口流量(Q)	轴功率	配套电机		整机重
	r/min	kPa	mmH ₂ O	m ³ /min	kW	型号	kW	kg
RH05013	1250	9.8	1000	1.64	0.49	Y2-80M2-4	0.75	107
		19.6	2000	1.47	0.77	Y2-90S-4	1.1	110
		29.4	3000	1.38	1.07	Y2-90L-4	1.5	115
		39.2	4000	1.21	1.37	Y2-100L1-4	2.2	123
		49	5000	1.12	1.67	Y2-100L1-4	2.2	123
		58.8	6000	0.95	1.98	Y2-100L01-4	2.2	123
	1450	9.8	1000	1.81	0.60	Y2-80M2-4	0.75	107
		19.6	2000	1.73	0.95	Y2-90S-4	1.1	110
		29.4	3000	1.55	1.33	Y2-90L-4	1.5	115
		39.2	4000	1.47	1.69	Y2-100L1-4	2.2	123
		49	5000	1.38	2.06	Y2-100L2-4	3	129
		58.8	6000	1.21	2.46	Y2-100L2-4	3	129
	1650	9.8	1000	2.16	0.73	Y2-90S-4	1.1	110
		19.6	2000	2.07	1.14	Y2-90L-4	1.5	115
		29.4	3000	1.90	1.54	Y2-100L1-4	2.2	123
		39.2	4000	1.81	1.96	Y2-100L2-4	3	129
		49	5000	1.73	2.38	Y2-100L2-4	3	129
		58.8	6000	1.55	2.81	Y2-112M-4	4	134
	1850	9.8	1000	2.42	0.85	Y2-90S-4	1.1	110
		19.6	2000	2.33	1.29	Y2-90L-4	1.5	115
		29.4	3000	2.16	1.74	Y2-100L1-4	2.2	123
		39.2	4000	2.07	2.18	Y2-100L2-4	3	129
		49	5000	1.98	2.63	Y2-100L2-4	3	129
		58.8	6000	1.81	3.10	Y2-112M-4	4	134
	2050	9.8	1000	2.67	0.97	Y2-90S-4	1.1	110
		19.6	2000	2.59	1.46	Y2-100L1-4	2.2	123
		29.4	3000	2.42	1.95	Y2-100L1-4	2.2	123
		39.2	4000	2.33	2.45	Y2-100L2-4	3	129
		49	5000	2.24	2.95	Y2-112M-4	4	134
		58.8	6000	2.07	3.44	Y2-112M-4	4	134
	2950	9.8	1000	4.22	1.41	Y2-90L-2	2.2	123
		19.6	2000	3.98	2.21	Y2-100L-2	3	129
		29.4	3000	3.80	3.02	Y2-112M-2	4	134
		39.2	4000	3.64	3.80	Y2-132S1-2	5.5	152
		49	5000	3.50	4.62	Y2-132S1-2	5.5	152
		58.8	6000	3.36	5.47	Y2-132S2-2	7.5	160

罗茨风机选型参数表

型号	转速(n)	升压 ΔP		进口流量(Q)	轴功率	配套电机		整机重
	r/min	kPa	mmH ₂ O	m ³ /min	kW	型号	kW	kg
RH06514	1250	9.8	1000	2.16	0.57	Y2-80M2-4	0.75	110
		19.6	2000	1.98	0.95	Y2-90S-4	1.1	112
		29.4	3000	1.81	1.35	Y2-90L-4	1.5	120
		39.2	4000	1.73	1.74	Y2-100L1-4	2.2	128
		49	5000	1.55	2.15	Y2-100L2-4	3	133
		58.8	6000	1.38	2.55	Y2-100L2-4	3	133
	1450	9.8	1000	2.50	0.67	Y2-90S-4	1.1	112
		19.6	2000	2.33	1.14	Y2-90L-4	1.5	120
		29.4	3000	2.16	1.59	Y2-100L1-4	2.2	128
		39.2	4000	2.07	2.04	Y2-100L2-4	3	133
		49	5000	1.90	2.52	Y2-100L2-4	3	133
		58.8	6000	1.73	2.98	Y2-112M-4	4	137
	1650	9.8	1000	2.85	0.81	Y2-90S-4	1.1	112
		19.6	2000	2.67	1.31	Y2-90L-4	1.5	120
		29.4	3000	2.50	1.80	Y2-100L1-4	2.2	128
		39.2	4000	2.42	2.30	Y2-100L2-4	3	133
		49	5000	2.24	2.79	Y2-112M-4	4	137
		58.8	6000	2.07	3.31	Y2-112M-4	4	137
	1850	9.8	1000	3.19	0.95	Y2-90S-4	1.1	112
		19.6	2000	3.02	1.50	Y2-100L1-4	2.2	128
		29.4	3000	2.85	2.03	Y2-100L2-4	3	133
		39.2	4000	2.67	2.57	Y2-100L2-4	3	133
		49	5000	2.59	3.11	Y2-112M-4	4	137
		58.8	6000	2.42	3.65	Y2-112M-4	4	137
	2050	9.8	1000	3.54	1.09	Y2-90L-4	1.5	120
		19.6	2000	3.36	1.68	Y2-100L1-4	2.2	128
		29.4	3000	3.19	2.26	Y2-100L2-4	3	133
		39.2	4000	3.11	2.85	Y2-100L2-4	4	137
		49	5000	2.93	3.43	Y2-100L2-4	4	137
		58.8	6000	2.76	4.01	Y2-132S-4	5.5	155
2950	9.8	1000	5.43	1.53	Y2-90L-2	2.2	128	
	19.6	2000	5.11	2.45	Y2-100L-2	3	133	
	29.4	3000	4.89	3.43	Y2-112M-2	4	137	
	39.2	4000	4.70	4.46	Y2-132S1-2	5.5	155	
	49	5000	4.53	5.52	Y2-132S2-2	7.5	170	
	58.8	6000	4.36	6.59	Y2-132S2-2	7.5	170	

罗茨风机选型参数表

型号	转速(n)	升压 ΔP		进口流量(Q)	轴功率	配套电机		整机重
	r/min	kPa	mmH ₂ O	m ³ /min	kW	型号	kW	kg
RH06521	1450	9.8	1000	2.94	0.81	Y2-90S-4	1.1	208
		19.6	2000	2.68	1.36	Y2-90L-4	1.5	209
		29.4	3000	2.51	1.93	Y2-100L1-4	2.2	217
		39.2	4000	2.33	2.47	Y2-100L2-4	3	217
		49	5000	2.18	3.13	Y2-112M-4	4	227
		58.8	6000	2.03	3.78	Y2-112M-4	4	227
	1650	9.8	1000	3.38	0.96	Y2-90S-4	1.1	208
		19.6	2000	3.13	1.55	Y2-100L1-4	2.2	217
		29.4	3000	2.96	2.13	Y2-100L2-4	3	218
		39.2	4000	2.78	2.74	Y2-112M-4	4	227
		49	5000	2.63	3.34	Y2-112M-4	4	227
		58.8	6000	2.48	3.95	Y2-132S-4	5.5	250
	1800	9.8	1000	3.74	1.07	Y2-90L-4	1.5	210
		19.6	2000	3.48	1.72	Y2-100L1-4	2.2	218
		29.4	3000	3.30	2.36	Y2-100L2-4	3	219
		39.2	4000	3.13	3.02	Y2-112M-4	4	228
		49	5000	2.98	3.67	Y2-112M-4	4	228
		58.8	6000	2.82	4.32	Y2-132S-4	5.5	251
	1950	9.8	1000	4.08	1.18	Y2-90S-4	1.5	211
		19.6	2000	3.82	1.88	Y2-100L1-4	2.2	218
		29.4	3000	3.65	2.59	Y2-100L2-4	3	219
		39.2	4000	3.47	3.30	Y2-112M-4	4	229
		49	5000	3.32	4.01	Y2-132S-4	5.5	252
		58.8	6000	3.17	4.73	Y2-132S-4	5.5	252
	2100	9.8	1000	4.43	1.29	Y2-100L1-4	2.2	219
		19.6	2000	4.17	2.06	Y2-100L2-4	3	220
		29.4	3000	4.00	2.81	Y2-112M-4	4	230
		39.2	4000	3.82	3.55	Y2-112M-4	4	230
		49	5000	3.67	4.30	Y2-132S-4	5.5	253
		58.8	6000	3.52	5.05	Y2-132S-4	5.5	253
2950	9.8	1000	6.35	1.73	Y2-90L-2	2.2	208	
	19.6	2000	6.11	2.92	Y2-112M-2	4	217	
	29.4	3000	5.92	4.14	Y2-132S1-2	5.5	244	
	39.2	4000	5.74	5.32	Y2-132S2-2	7.5	251	
	49	5000	5.61	6.56	Y2-132S2-2	7.5	251	
	58.8	6000	5.48	7.78	Y2-160M1-2	11	293	
RH08023	1450	9.8	1000	4.82	1.6	Y2-100L1-4	2.2	254
		19.6	2000	4.52	2.4	Y2-100L2-4	3	258
		29.4	3000	4.23	3.3	Y2-112M-4	4	264
		39.2	4000	3.93	4.1	Y2-132S-4	5.5	287
		49	5000	3.74	5.0	Y2-132S-4	5.5	287
		58.8	6000	3.54	5.8	Y2-132M-4	7.5	301

罗茨风机选型参数表

型号	转速(n)	升压 ΔP		进口流量(Q)	轴功率	配套电机		整机重
	r/min	kPa	mmH ₂ O	m ³ /min	kW	型号	kW	kg
RH08023	1650	9.8	1000	5.70	1.9	Y2-100L1-4	2.2	254
		19.6	2000	5.31	2.8	Y2-100L2-4	3	258
		29.4	3000	5.11	3.8	Y2-112M-4	4	264
		39.2	4000	4.92	4.7	Y2-132S-4	5.5	287
		49	5000	4.62	5.6	Y2-132M-4	7.5	301
		58.8	6000	4.33	6.6	Y2-132M-4	7.5	301
	1800	9.8	1000	6.29	2.1	Y2-100L2-4	3	258
		19.6	2000	5.90	3.1	Y2-112M-4	4	264
		29.4	3000	5.60	4.2	Y2-132S-4	5.5	287
		39.2	4000	5.41	5.2	Y2-132M-4	7.5	301
		49	5000	5.21	6.2	Y2-132M-4	7.5	301
		58.8	6000	5.01	7.3	Y2-160M-4	11	344
	1950	9.8	1000	6.78	2.2	Y2-100L2-4	3	258
		19.6	2000	6.49	3.4	Y2-112M-4	4	264
		29.4	3000	6.19	4.6	Y2-132S-4	5.5	287
		39.2	4000	6.00	5.7	Y2-132M-4	7.5	301
		49	5000	5.80	6.9	Y2-132M-4	7.5	301
		58.8	6000	5.60	8.0	Y2-160M-4	11	344
	2100	9.8	1000	7.37	2.4	Y2-100L2-4	3	258
		19.6	2000	7.08	3.7	Y2-132S-4	5.5	287
		29.4	3000	6.88	5.0	Y2-132S-4	5.5	287
		39.2	4000	6.49	6.2	Y2-132M-4	7.5	301
		49	5000	6.19	7.5	Y2-160M-4	11	344
		58.8	6000	6.00	8.7	Y2-160M-4	11	344
RH10024	1450	9.8	1000	7.28	2.4	Y2-100L2-4	3	278
		19.6	2000	6.69	3.5	Y2-112M-4	4	284
		29.4	3000	6.29	4.8	Y2-132S-4	5.5	307
		39.2	4000	5.90	6.1	Y2-132M-4	7.5	321
		49	5000	5.51	7.3	Y2-160M-4	11	364
		58.8	6000	5.21	8.5	Y2-160M-4	11	364
	1650	9.8	1000	8.46	2.7	Y2-100L2-4	3	278
		19.6	2000	7.96	4.1	Y2-132S-4	5.5	307
		29.4	3000	7.57	5.5	Y2-132M-4	7.5	321
		39.2	4000	7.28	6.9	Y2-132M-4	7.5	321
		49	5000	6.88	8.2	Y2-160M-4	11	364
		58.8	6000	6.49	9.6	Y2-160M-4	11	364
	1800	9.8	1000	9.34	3.0	Y2-112M-4	4	284
		19.6	2000	8.85	4.6	Y2-132S-4	5.5	307
		29.4	3000	8.46	6.1	Y2-132M-4	7.5	321
		39.2	4000	8.16	7.6	Y2-160M-4	11	364
		49	5000	7.87	9.1	Y2-160M-4	11	364

罗茨风机选型参数表

型号	转速(n)	升压 ΔP		进口流量(Q)	轴功率	配套电机		整机重
	r/min	kPa	mmH ₂ O	m ³ /min	kW	型号	kW	kg
RH10032	980	9.8	1000	6.26	1.9	Y2-112M-6	2.2	393
		19.6	2000	5.70	3.0	Y2-132M1-6	4	425
		29.4	3000	5.23	4.2	Y2-132M2-6	5.5	434
		39.2	4000	4.95	5.4	Y2-160M-6	7.5	468
		49	5000	4.60	6.5	Y2-160M-6	7.5	468
		58.8	6000	4.35	7.7	Y2-160L-6	11	495
		68.6	7000	4.10	8.8	Y2-160L-6	11	495
		78.4	8000	3.72	10.0	Y2-160L-6	11	495
		88.2	9000	3.19	11.2	Y2-180L-6	15	545
		98	10000	2.81	12.4	Y2-180L-6	15	545
	1100	9.8	1000	7.33	2.1	Y2-100L2-4	3	388
		19.6	2000	6.87	3.4	Y2-112M-4	4	394
		29.4	3000	6.45	4.71	Y2-132S-4	5.5	417
		39.2	4000	6.01	6	Y2-132M-4	7.5	431
		49	5000	5.65	7.32	Y2-160M-4	11	474
		58.8	6000	5.32	8.63	Y2-160M-4	11	474
		68.6	7000	5.01	9.95	Y2-160M-4	11	474
		78.4	8000	4.80	11.28	Y2-160L-4	15	495
	1200	9.8	1000	8.05	2.31	Y2-100L2-4	3	388
		19.6	2000	7.75	3.73	Y2-132S-4	5.5	417
		29.4	3000	7.21	5.14	Y2-132S-4	5.5	417
		39.2	4000	6.80	6.56	Y2-132M-4	7.5	431
		49	5000	6.35	7.99	Y2-160M-4	11	474
		58.8	6000	6.01	9.41	Y2-160M-4	11	474
		68.6	7000	5.82	10.85	Y2-160L-4	15	495
		78.4	8000	5.41	12.3	Y2-160L-4	15	495
	1310	9.8	1000	8.90	2.54	Y2-100L2-4	3	388
		19.6	2000	8.42	4.09	Y2-132S-4	5.5	417
		29.4	3000	7.92	5.63	Y2-132M-4	7.5	431
		39.2	4000	7.43	7.17	Y2-132M-4	7.5	431
		49	5000	7.12	8.72	Y2-160M-4	11	474
		58.8	6000	6.87	10.28	Y2-160M-4	15	474
		68.6	7000	6.55	11.85	Y2-160L-4	15	495
		78.4	8000	6.21	13.43	Y2-160L-4	15	495
	1450	9.8	1000	10.02	2.8	Y2-112M-4	4	394
		19.6	2000	9.55	4.5	Y2-132S-4	5.5	417
		29.4	3000	8.95	6.3	Y2-132M-4	7.5	431
		39.2	4000	8.58	8.0	Y2-160M-4	11	474
		49	5000	8.22	9.8	Y2-160M-4	11	474
		58.8	6000	7.89	11.5	Y2-160L-4	15	495
68.6		7000	7.62	13.3	Y2-160L-4	15	495	
78.4		8000	7.35	15.1	Y2-180M-4	18.5	530	
88.2		9000	6.87	16.9	Y2-180M-4	18.5	530	
98		10000	6.30	18.5	Y2-180L-4	22	550	

罗茨风机选型参数表

型号	转速(n)	升压 ΔP		进口流量(Q)	轴功率	配套电机		整机重
	r/min	kPa	mmH ₂ O	m ³ /min	kW	型号	kW	kg
RH10032	1600	9.8	1000	11.30	3.1	Y2-112M-4	4	394
		19.6	2000	10.72	5.0	Y2-132S-4	5.5	417
		29.4	3000	9.99	6.9	Y2-132M-4	7.5	431
		39.2	4000	9.62	8.7	Y2-160M-4	11	474
		49	5000	9.32	10.6	Y2-160L-4	15	495
		58.8	6000	8.96	12.4	Y2-160L-4	15	495
		68.6	7000	8.54	14.3	Y2-180M-4	18.5	530
		78.4	8000	8.21	16.1	Y2-180M-4	18.5	530
RH12533	1310	9.8	1000	12.82	3.7	Y2-132S-4	5.5	457
		19.6	2000	12.12	5.9	Y2-132M-4	7.5	471
		29.4	3000	11.40	8.1	Y2-160M-4	11	514
		39.2	4000	10.70	10.3	Y2-160L-4	15	535
		49	5000	10.25	12.6	Y2-160L-4	15	535
		58.8	6000	9.89	14.8	Y2-180M-4	18.5	570
		68.6	7000	9.43	17.1	Y2-180M-4	18.5	570
		78.4	8000	8.94	19.3	Y2-180L-4	22	590
	1450	9.8	1000	14.43	4.0	Y2-132S-4	5.5	457
		19.6	2000	13.75	6.5	Y2-132M-4	7.5	471
		29.4	3000	12.89	9.0	Y2-160M-4	11	514
		39.2	4000	12.36	11.5	Y2-160L-4	15	535
		49	5000	11.84	14.1	Y2-180M-4	18.5	570
		58.8	6000	11.36	16.6	Y2-180M-4	18.5	570
		68.6	7000	10.97	19.2	Y2-180L-4	22	590
		78.4	8000	10.58	21.7	Y2-200L-4	30	660
	1600	9.8	1000	16.27	4.5	Y2-132S-4	5.5	457
		19.6	2000	15.44	7.2	Y2-160M-4	11	514
		29.4	3000	14.39	9.9	Y2-160M-4	11	514
		39.2	4000	13.85	12.5	Y2-160L-4	15	535
		49	5000	13.42	15.2	Y2-180M-4	18.5	570
		58.8	6000	12.90	17.9	Y2-180L-4	22	590
		68.6	7000	12.30	20.5	Y2-200L-4	30	660
		78.4	8000	11.82	23.2	Y2-200L-4	30	660
RH10041	980	9.8	1000	8.5	2.7	Y2-132S-6	3	565
		19.6	2000	7.8	4.2	Y2-132M2-6	5.5	584
		29.4	3000	7.1	5.7	Y2-160M-6	7.5	618
		39.2	4000	6.8	7.3	Y2-160L-6	11	645
		49	5000	6.3	8.8	Y2-160L-6	11	645
		58.8	6000	6.0	10.4	Y2-180L-6	15	695
		68.6	7000	5.7	11.9	Y2-180L-6	15	695
		78.4	8000	5.1	13.4	Y2-180L-6	15	695
		88.2	9000	4.4	14.9	Y2-200L1-6	18.5	720
		98	10000	3.8	16.5	Y2-200L1-6	18.5	720

罗茨风机选型参数表

型号	转速(n)	升压 ΔP		进口流量(Q)	轴功率	配套电机		整机重
	r/min	kPa	mmH ₂ O	m ³ /min	kW	型号	kW	kg
RH10041	1450	9.8	1000	13.1	4.0	Y2-132S-4	5.5	567
		19.6	2000	12.4	6.1	Y2-132M-4	7.5	581
		29.4	3000	11.9	8.4	Y2-160M-4	11	624
		39.2	4000	11.5	10.6	Y2-160L-4	15	645
		49	5000	11.1	12.8	Y2-160L-4	15	645
		58.8	6000	10.8	15.1	Y2-180M-4	18.5	680
		68.6	7000	10.6	17.4	Y2-180M-4	18.5	680
		78.4	8000	10.0	19.6	Y2-180L-4	22	700
		88.2	9000	9.2	21.9	Y2-200L-4	30	770
		98	10000	8.6	24.2	Y2-200L-4	30	770
RH12542	980	9.8	1000	13.1	4.1	Y2-132M2-6	5.5	624
		19.6	2000	12.4	6.3	Y2-160M-6	7.5	658
		29.4	3000	11.8	8.5	Y2-160L-6	11	685
		39.2	4000	11.2	10.7	Y2-180L-6	15	735
		49	5000	10.6	12.9	Y2-180L-6	15	735
		58.8	6000	10.2	15.1	Y2-200L1-6	18.5	760
		68.6	7000	9.8	17.2	Y2-200L1-6	18.5	760
		78.4	8000	9.3	19.5	Y2-200L2-6	22	790
		88.2	9000	8.4	21.7	Y2-225M-6	30	832
		98	10000	7.9	23.9	Y2-225M-6	30	832
	1100	9.8	1000	15.1	4.6	Y2-132S-4	5.5	607
		19.6	2000	14.3	7.1	Y2-160M-4	11	664
		29.4	3000	13.6	9.5	Y2-160M-4	11	664
		39.2	4000	13.2	12.0	Y2-160L-4	15	685
		49	5000	12.7	14.6	Y2-180M-4	18.5	720
		58.8	6000	12.3	17.1	Y2-180M-4	18.5	720
		68.6	7000	11.9	19.7	Y2-180L-4	22	740
		78.4	8000	11.2	22.3	Y2-200L-4	30	810
	1200	9.8	1000	16.4	5.0	Y2-132M-4	7.5	621
		19.6	2000	15.7	7.7	Y2-160M-4	11	664
		29.4	3000	15.4	10.4	Y2-160L-4	15	685
		39.2	4000	14.7	13.1	Y2-160L-4	15	685
		49	5000	14.3	15.8	Y2-180M-4	18.5	720
		58.8	6000	13.8	18.5	Y2-180L-4	22	740
		68.6	7000	13.4	21.3	Y2-200L-4	30	810
		78.4	8000	12.7	24.1	Y2-200L-4	30	810
	1310	9.8	1000	18.1	5.5	Y2-132M-4	7.5	621
		19.6	2000	17.4	8.4	Y2-160M-4	11	664
		29.4	3000	16.7	11.4	Y2-160L-4	15	685
		39.2	4000	16.2	14.4	Y2-180M-4	18.5	720
		49	5000	15.6	17.4	Y2-180M-4	18.5	720
		58.8	6000	15.2	20.4	Y2-180L-4	22	740
		68.6	7000	14.9	23.5	Y2-200L-4	30	810
		78.4	8000	14.3	26.6	Y2-200L-4	30	810

罗茨风机选型参数表

型号	转速(n)	升压 ΔP		进口流量(Q)	轴功率	配套电机		整机重
	r/min	kPa	mmH ₂ O	m ³ /min	kW	型号	kW	kg
RH12542	1450	9.8	1000	20.1	6.1	Y2-132M-4	7.5	621
		19.6	2000	19.4	9.5	Y2-160M-4	11	664
		29.4	3000	18.9	12.8	Y2-160L-4	15	685
		39.2	4000	18.3	16.2	Y2-180M-4	18.5	720
		49	5000	17.7	19.5	Y2-180L-4	22	740
		58.8	6000	17.4	22.9	Y2-200L-4	30	810
		68.6	7000	17.1	26.3	Y2-200L-4	30	810
		78.4	8000	16.7	29.7	Y2-225S-4	37	824
		88.2	9000	15.9	33.1	Y2-225S-4	37	824
	98	10000	15.0	36.6	Y2-225M-4	45	860	
	1600	9.8	1000	22.3	6.9	Y2-160M-4	11	664
		19.6	2000	21.5	10.8	Y2-160L-4	15	685
		29.4	3000	20.8	14.7	Y2-180M-4	18.5	720
		39.2	4000	20.4	18.6	Y2-180L-4	22	740
		49	5000	19.9	22.5	Y2-200L-4	30	810
		58.8	6000	19.2	26.5	Y2-200L-4	30	810
		68.6	7000	19.3	30.3	Y2-225S-4	37	824
		78.4	8000	18.6	34.2	Y2-225S-4	37	824
88.2		9000	17.9	38.1	Y2-225M-4	45	860	
RH15043	980	9.8	1000	16.2	5.1	Y2-132M2-6	5.5	694
		19.6	2000	15.1	7.8	Y2-160L-6	11	755
		29.4	3000	14.3	10.6	Y2-180L-6	15	805
		39.2	4000	13.7	13.3	Y2-180L-6	15	805
		49	5000	13.0	16.1	Y2-200L1-6	18.5	830
		58.8	6000	12.6	18.8	Y2-200L2-6	22	860
		68.6	7000	12.1	21.4	Y2-225M-6	30	902
		78.4	8000	11.3	24.2	Y2-225M-6	30	902
		88.2	9000	10.5	27.0	Y2-225M-6	30	902
	98	10000	9.7	29.8	Y2-250M-6	37	1018	
	1310	9.8	1000	22.1	6.8	Y2-132M-4	7.5	713
		19.6	2000	21.3	10.5	Y2-160L-4	15	755
		29.4	3000	20.5	14.2	Y2-180M-4	18.5	790
		39.2	4000	19.8	17.9	Y2-180L-4	22	837
		49	5000	19.3	21.6	Y2-200L-4	30	880
		58.8	6000	18.8	25.4	Y2-200L-4	30	880
		68.6	7000	18.4	29.2	Y2-225S-4	37	894
		78.4	8000	17.6	33.0	Y2-225S-4	37	894
		88.2	9000	16.8	36.8	Y2-225M-4	45	930
	1450	9.8	1000	24.9	7.6	Y2-160M-4	11	734
		19.6	2000	23.9	11.8	Y2-160L-4	15	755
		29.4	3000	23.2	16.0	Y2-180M-4	18.5	790
		39.2	4000	22.5	20.1	Y2-200L-4	30	880
		49	5000	21.9	24.3	Y2-200L-4	30	880
		58.8	6000	21.5	28.5	Y2-225S-4	37	894
		68.6	7000	21.1	32.7	Y2-225S-4	37	894
		78.4	8000	20.3	37.0	Y2-225M-4	45	930
88.2		9000	19.5	41.2	Y2-250M-4	55	1037	
98		10000	18.6	45.5	Y2-250M-4	55	1037	

罗茨风机选型参数表

型号	转速(n)	升压 ΔP		进口流量(Q)	轴功率	配套电机		整机重
	r/min	kPa	mmH ₂ O	m ³ /min	kW	型号	kW	kg
RH15044	980	9.8	1000	21.6	6.8	Y2-160M-6	7.5	758
		19.6	2000	20.2	10.4	Y2-180L-6	15	835
		29.4	3000	19.1	13.8	Y2-180L-6	15	835
		39.2	4000	18.3	16.9	Y2-200L2-6	22	890
		49	5000	17.4	20.3	Y2-225M-6	30	932
		58.8	6000	16.8	23.6	Y2-225M-6	30	932
		68.6	7000	16.1	26.6	Y2-225M-6	30	932
		78.4	8000	15.2	32.5	Y2-250M-6	37	1048
	1200	9.8	1000	26.1	8.2	Y2-160M-4	11	764
		19.6	2000	25.5	12.7	Y2-160L-4	15	785
		29.4	3000	24.9	17.2	Y2-180M-4	18.5	820
		39.2	4000	24.2	21.7	Y2-200L-4	30	910
		49	5000	23.7	26.3	Y2-200L-4	30	910
		58.8	6000	23.0	30.7	Y2-225S-4	37	924
		68.6	7000	22.5	35.2	Y2-225M-4	45	960
		1310	9.8	1000	28.1	8.8	Y2-160M-4	11
	19.6		2000	27.5	13.7	Y2-160L-4	15	785
	29.4		3000	26.9	18.6	Y2-180L-4	22	840
	39.2		4000	26.3	23.6	Y2-200L-4	30	910
	49		5000	25.6	28.5	Y2-225S-4	37	924
	58.8		6000	25.0	33.3	Y2-225S-4	37	924
	1400	9.8	1000	30.3	9.4	Y2-160M-4	11	764
		19.6	2000	29.5	14.7	Y2-180M-4	18.5	820
		29.4	3000	28.9	20.0	Y2-180L-4	22	840
		39.2	4000	28.3	25.4	Y2-200L-4	30	910
		49	5000	27.6	30.7	Y2-225S-4	37	924
		58.8	6000	27.0	35.9	Y2-225M-4	45	960
	1450	9.8	1000	33.1	10.1	Y2-160M-4	11	764
		19.6	2000	31.8	15.6	Y2-180M-4	18.5	820
		29.4	3000	30.9	21.2	Y2-200L-4	30	910
		39.2	4000	29.9	26.7	Y2-200L-4	30	910
		49	5000	29.2	32.3	Y2-225S-4	37	924
		58.8	6000	28.6	37.9	Y2-225M-4	45	960

罗茨风机选型参数表

型号	转速(n)	升压 ΔP		进口流量(Q)	轴功率	配套电机		整机重
	r/min	kPa	mmH ₂ O	m ³ /min	kW	型号	kW	kg
RH15052	980	9.8	1000	22.2	6.4	Y2-160L-6	11	1042
		19.6	2000	21.4	9.9	Y2-180L-6	15	1100
		29.4	3000	20.8	13.4	Y2-200L1-6	18.5	1125
		39.2	4000	20.3	17.1	Y2-200L2-6	22	1155
		49	5000	19.8	20.8	Y2-225M-6	30	1235
		58.8	6000	19.3	25.4	Y2-225M-6	30	1235
		68.6	7000	18.9	29.9	Y2-250M-6	37	1295
		78.4	8000	18.5	35.1	Y2-280S-6	45	1470
		88.2	9000	17.7	40.4	Y2-280S-6	45	1470
	98	10000	16.9	45.8	Y2-280M-6	55	1490	
	1100	9.8	1000	25.4	7.3	Y2-160M-4	11	1050
		19.6	2000	24.6	11.8	Y2-160L-4	15	1074
		29.4	3000	24.0	16.6	Y2-180M-4	18.5	1100
		39.2	4000	23.5	21.4	Y2-200L-4	30	1120
		49	5000	23.0	26.3	Y2-200L-4	30	1120
		58.8	6000	22.5	31.2	Y2-225S-4	37	1180
		68.6	7000	22.1	36.1	Y2-225M-4	45	1240
	1200	78.4	8000	21.5	41.3	Y2-250M-4	55	1270
		9.8	1000	28.1	8.2	Y2-160M-4	11	1052
		19.6	2000	27.3	13.1	Y2-160L-4	15	1076
		29.4	3000	26.7	18.2	Y2-180L-4	22	1098
		39.2	4000	26.2	23.3	Y2-200L-4	30	1122
		49	5000	25.7	28.4	Y2-225S-4	37	1182
		58.8	6000	25.2	33.5	Y2-225S-4	37	1182
	1310	68.6	7000	24.8	38.7	Y2-225M-4	45	1242
		78.4	8000	24.2	44.1	Y2-250M-4	55	1272
		9.8	1000	30.9	9.2	Y2-160M-4	11	1055
		19.6	2000	30.1	14.8	Y2-180M-4	18.5	1105
		29.4	3000	29.5	20.4	Y2-200L-4	30	1125
		39.2	4000	29.0	26.1	Y2-200L-4	30	1125
		49	5000	28.5	31.6	Y2-225S-4	37	1185
	1450	58.8	6000	28.0	37.3	Y2-225M-4	45	1245
		68.6	7000	27.6	43.1	Y2-250M-4	55	1275
		78.4	8000	27.0	49.0	Y2-250M-4	55	1275
		9.8	1000	34.7	10.1	Y2-160L-4	15	1050
		19.6	2000	33.9	16.2	Y2-180M-4	18.5	1100
		29.4	3000	33.2	22.4	Y2-200L-4	30	1120
		39.2	4000	32.8	28.6	Y2-225S-4	37	1180
		49	5000	32.3	34.9	Y2-225M-4	45	1180
		58.8	6000	31.8	41.3	Y2-225M-4	45	1240
68.6		7000	31.3	47.7	Y2-250M-4	55	1250	
98	78.4	8000	31.0	54.1	Y2-280S-4	75	1380	
	88.2	9000	30.2	60.6	Y2-280S-4	75	1380	
98	10000	29.4	67.3	Y2-280S-4	75	1380		

罗茨风机选型参数表

型号	转速(n)	升压 ΔP		进口流量(Q)	轴功率	配套电机		整机重
	r/min	kPa	mmH ₂ O	m ³ /min	kW	型号	kW	kg
RH20053	980	9.8	1000	28.7	8.2	Y2-160L-6	11	1117
		19.6	2000	27.7	12.6	Y2-180L-6	15	1170
		29.4	3000	26.9	17.0	Y2-200L1-6	18.5	1190
		39.2	4000	26.3	21.7	Y2-225M-6	30	1270
		49	5000	25.7	26.4	Y2-225M-6	30	1270
		58.8	6000	25.1	32.2	Y2-250M-6	37	1470
		68.6	7000	24.5	38.0	Y2-280S-6	45	1646
		78.4	8000	24.1	43.3	Y2-280M-6	55	1666
		88.2	9000	23.3	48.5	Y2-280M-6	55	1666
	98	10000	22.5	53.7	Y2-315S-6	75	1829	
	1100	9.8	1000	32.7	9.3	Y2-160M-4	11	1127
		19.6	2000	31.7	14.4	Y2-180M-4	18.5	1226
		29.4	3000	30.9	19.8	Y2-200L-4	30	1300
		39.2	4000	30.3	25.2	Y2-200L-4	30	1300
		49	5000	29.7	30.7	Y2-225S-4	37	1360
		58.8	6000	29.1	36.2	Y2-225M-4	45	1400
		68.6	7000	28.5	41.8	Y2-250M-4	55	1469
		78.4	8000	27.9	47.6	Y2-250M-4	55	1469
	1200	9.8	1000	36.1	10.4	Y2-160L-4	15	1197
		19.6	2000	35.1	16.2	Y2-180M-4	18.5	1229
		29.4	3000	34.3	22.2	Y2-200L-4	30	1303
		39.2	4000	33.7	28.3	Y2-225S-4	37	1363
		49	5000	33.1	34.5	Y2-225M-4	45	1403
		58.8	6000	32.5	40.7	Y2-225M-4	45	1403
		68.6	7000	31.9	47.0	Y2-250M-4	55	1472
	1310	9.8	1000	39.7	11.2	Y2-160M-4	15	1200
		19.6	2000	38.7	17.8	Y2-180L-4	22	1250
		29.4	3000	37.9	24.5	Y2-200L-4	30	1305
		39.2	4000	37.3	31.3	Y2-225S-4	37	1366
		49	5000	36.7	38.3	Y2-225M-4	45	1405
		58.8	6000	36.1	45.5	Y2-250M-4	55	1475
		68.6	7000	35.5	52.7	Y2-280S-4	75	1610
	1450	9.8	1000	44.6	12.1	Y2-160L-4	15	1215
		19.6	2000	43.6	20.0	Y2-200L-4	30	1300
		29.4	3000	42.8	27.5	Y2-225S-4	37	1355
		39.2	4000	42.2	35.6	Y2-225M-4	45	1400
49		5000	41.6	43.4	Y2-250M-4	55	1469	
58.8		6000	41.0	51.4	Y2-280S-4	75	1606	
68.6		7000	40.5	59.5	Y2-280S-4	75	1606	
78.4		8000	40.0	67.7	Y2-280S-4	75	1606	
88.2		9000	39.2	75.9	Y2-280M-4	90	1711	
98		10000	38.0	85.0	Y2-315S-4	110	2040	

罗茨风机选型参数表

型号	转速(n)	升压 ΔP		进口流量(Q)	轴功率	配套电机		整机重
	r/min	kPa	mmH ₂ O	m ³ /min	kW	型号	kW	kg
RH25054	980	9.8	1000	43.6	11.9	Y2-180L-6	15	1495
		19.6	2000	42.1	18.2	Y2-200L2-6	22	1550
		29.4	3000	40.9	24.6	Y2-225M-6	30	1592
		39.2	4000	40.0	31.4	Y2-250M-6	37	1708
		49	5000	39.0	38.2	Y2-280S-6	45	1848
		58.8	6000	38.1	46.6	Y2-280M-6	55	1906
		68.6	7000	37.2	55.0	Y2-315S-6	75	2167
		78.4	8000	35.9	62.7	Y2-315S-6	75	2167
		88.2	9000	34.4	70.3	Y2-315M-6	90	2267
	98	10000	32.6	78.8	Y2-315M-6	90	2267	
	1100	9.8	1000	49.7	13.5	Y2-160L-4	15	1445
		19.6	2000	48.2	20.8	Y2-200L-4	30	1570
		29.4	3000	46.9	28.7	Y2-225S-4	37	1584
		39.2	4000	46.0	36.5	Y2-225M-4	45	1620
		49	5000	45.1	44.4	Y2-250M-4	55	1727
		58.8	6000	44.2	52.4	Y2-280S-4	75	1810
		68.6	7000	43.3	60.5	Y2-280S-4	75	1810
	1200	9.8	1000	54.8	15.1	Y2-180M-4	18.5	1480
		19.6	2000	53.3	23.4	Y2-200L-4	30	1570
		29.4	3000	52.1	32.1	Y2-225S-4	37	1584
		39.2	4000	51.2	41.0	Y2-225M-4	45	1620
		49	5000	50.3	49.9	Y2-250M-4	55	1727
		58.8	6000	49.4	58.9	Y2-280S-4	75	1810
		68.6	7000	48.5	68.0	Y2-280S-4	75	1810
	1310	9.8	1000	59.8	16.0	Y2-180M-4	18.5	1480
		19.6	2000	58.4	25.6	Y2-200L-4	30	1570
		29.4	3000	57.1	35.3	Y2-225M-4	45	1620
		39.2	4000	56.2	44.9	Y2-250M-4	55	1727
		49	5000	55.3	55.0	Y2-280S-4	75	1810
		58.8	6000	54.4	65.3	Y2-280S-4	75	1810
		68.6	7000	53.5	75.7	Y2-280M-4	90	1900
	1450	9.8	1000	68.6	17.7	Y2-180L-4	22	1500
		19.6	2000	67.2	29.4	Y2-225S-4	37	1584
		29.4	3000	65.8	40.3	Y2-225M-4	45	1620
		39.2	4000	65.0	52.2	Y2-280S-4	75	1860
		49	5000	64.0	63.6	Y2-280S-4	75	1860
		58.8	6000	63.2	75.4	Y2-280M-4	90	1950
		68.6	7000	62.4	87.3	Y2-315S-4	110	2280
		78.4	8000	60.9	99.3	Y2-315S-4	110	2280

罗茨风机选型参数表

型号	转速(n)	升压 ΔP		进口流量(Q)	轴功率	配套电机		整机重
	r/min	kPa	mmH ₂ O	m ³ /min	kW	型号	kW	kg
RH25062	730	9.8	1000	36.6	9.4	Y2-200L-8	15	1870
		19.6	2000	34.4	15.5	Y2-225S-8	18.5	1886
		29.4	3000	33.1	21.6	Y2-250M-8	30	2025
		39.2	4000	32.0	27.7	Y2-250M-8	30	2025
		49	5000	30.9	33.7	Y2-280M-8	45	2182
		58.8	6000	29.0	39.8	Y2-280M-8	45	2182
		68.6	7000	28.5	45.9	Y2-315S-8	55	2580
		78.4	8000	27.7	52.0	Y2-315M-8	75	2700
		88.2	9000	24.2	58.3	Y2-315M-8	75	2700
		98	10000	24.8	64.7	Y2-315M-8	75	2700
	980	9.8	1000	49.1	12.4	Y2-180L-6	15	1815
		19.6	2000	47.4	20.4	Y2-225M-6	30	1912
		29.4	3000	45.6	28.5	Y2-250M-6	37	2028
		39.2	4000	44.3	36.6	Y2-280S-6	45	2118
		49	5000	42.8	44.7	Y2-280M-6	55	2250
		58.8	6000	41.7	52.8	Y2-315S-6	75	2580
		68.6	7000	40.6	60.9	Y2-315S-6	75	2580
		78.4	8000	40.0	69.0	Y2-315S-6	75	2580
		88.2	9000	38.1	78.3	Y2-315M-6	90	2700
		98	10000	36.5	86.7	Y2-315L1-6	110	2760
	1100	9.8	1000	55.8	14.2	Y2-180M-4	18.5	1830
		19.6	2000	53.6	23.3	Y2-200L-4	30	1920
		29.4	3000	52.0	32.4	Y2-225S-4	37	1934
		39.2	4000	50.6	41.6	Y2-250M-4	55	2077
		49	5000	49.7	50.7	Y2-280S-4	75	2160
		58.8	6000	49.0	59.9	Y2-280S-4	75	2160
		68.6	7000	47.4	69.0	Y2-280M-4	90	2250
		78.4	8000	46.3	78.2	Y2-280M-4	90	2250
	1200	9.8	1000	62.1	16.4	Y2-180L-4	22	1850
		19.6	2000	60.3	26.5	Y2-200L-4	30	1920
		29.4	3000	58.8	36.6	Y2-225M-4	45	1970
		39.2	4000	57.2	46.8	Y2-250M-4	55	2077
		49	5000	56.1	56.9	Y2-280S-4	75	2160
		58.8	6000	55.0	67.1	Y2-280S-4	75	2160
		68.6	7000	54.2	77.2	Y2-280M-4	90	2250
		78.4	8000	53.0	87.4	Y2-315S-4	110	2580
	1300	9.8	1000	67.4	18.4	Y2-180L-4	22	1850
		19.6	2000	65.2	29.2	Y2-225S-4	37	1934
		29.4	3000	63.6	40.1	Y2-225M-4	45	1970
		39.2	4000	62.6	51.0	Y2-280S-4	75	2160
		49	5000	61.0	61.9	Y2-280S-4	75	2160
		58.8	6000	59.7	72.7	Y2-280M-4	90	2250
68.6		7000	59.1	83.6	Y2-315S-4	110	2580	
78.4		8000	57.8	94.5	Y2-315S-4	110	2580	

罗茨风机选型参数表

型号	转速(n)	升压 ΔP		进口流量(Q)	轴功率	配套电机		整机重
	r/min	kPa	mmH ₂ O	m ³ /min	kW	型号	kW	kg
RH25062	1450	9.8	1000	76.3	22.3	Y2-200L-4	30	1920
		19.6	2000	74.8	34.6	Y2-225M-4	45	1970
		29.4	3000	72.2	46.9	Y2-250M-4	55	2077
		39.2	4000	71.3	59.3	Y2-280S-4	75	2160
		49	5000	70.3	71.7	Y2-280M-4	90	2250
		58.8	6000	69.2	84.0	Y2-315S-4	110	2580
		68.6	7000	67.9	96.4	Y2-315S-4	110	2580
		78.4	8000	66.5	108.9	Y2-315M-4	132	2700
		88.2	9000	64.5	121.8	Y2-315L1-4	160	2860
		98	10000	63.0	134.8	Y2-315L1-4	160	2860
RH25063	730	9.8	1000	43.9	10.8	Y2-200L-8	15	2200
		19.6	2000	41.8	18.4	Y2-225M-8	22	2242
		29.4	3000	40.3	26.0	Y2-250M-8	30	2355
		39.2	4000	39.1	33.7	Y2-280M-8	45	2612
		49	5000	37.7	41.4	Y2-315S-8	55	2980
		58.8	6000	36.3	49.1	Y2-315S-8	55	2980
		68.6	7000	35.4	56.8	Y2-315M-8	75	3100
		78.4	8000	34.4	64.5	Y2-315M-8	75	3100
		88.2	9000	31.5	72.4	Y2-315L1-8	90	3160
		98	10000	30.9	80.5	Y2-315L1-8	90	3160
	980	9.8	1000	60.0	15.3	Y2-200L1-6	18.5	2170
		19.6	2000	58.6	25.5	Y2-225M-6	30	2242
		29.4	3000	56.9	35.7	Y2-280S-6	45	2448
		39.2	4000	55.5	45.9	Y2-280M-6	55	2550
		49	5000	54.3	56.1	Y2-315S-6	75	2880
		58.8	6000	52.9	66.3	Y2-315S-6	75	2880
		68.6	7000	52.0	76.5	Y2-315M-6	90	3000
		78.4	8000	51.0	86.7	Y2-315L1-6	110	3060
		88.2	9000	48.3	97.2	Y2-315L1-6	110	3060
		98	10000	45.2	107.8	Y2-315L2-6	132	3200
	1100	9.8	1000	68.0	17.5	Y2-180L-4	22	2150
		19.6	2000	65.8	29.0	Y2-225S-4	37	2234
		29.4	3000	64.6	40.5	Y2-225M-4	45	2270
		39.2	4000	63.3	52.0	Y2-280S-4	75	2460
		49	5000	62.5	63.6	Y2-280S-4	75	2460
		58.8	6000	61.1	75.1	Y2-280M-4	90	2550
		68.6	7000	60.0	86.6	Y2-315S-4	110	2880
		78.4	8000	58.8	98.1	Y2-315S-4	110	2880

罗茨风机选型参数表

型号	转速(n)	升压 ΔP		进口流量(Q)	轴功率	配套电机		整机重
	r/min	kPa	mmH ₂ O	m ³ /min	kW	型号	kW	kg
RH25063	1200	9.8	1000	76.4	20.5	Y2-200L-4	30	2220
		19.6	2000	74.2	33.2	Y2-225S-4	37	2234
		29.4	3000	72.9	45.9	Y2-250M-4	55	2377
		39.2	4000	71.6	58.7	Y2-280S-4	75	2460
		49	5000	70.4	71.5	Y2-280M-4	90	2550
		58.8	6000	69.4	84.4	Y2-315S-4	110	2880
		68.6	7000	68.3	98.3	Y2-315S-4	110	2880
		78.4	8000	67.1	110.2	Y2-315M-4	132	3000
	1300	9.8	1000	82.4	23.1	Y2-200L-4	30	2220
		19.6	2000	80.7	36.8	Y2-225M-4	45	2270
		29.4	3000	79.1	51.6	Y2-280S-4	75	2460
		39.2	4000	77.7	64.3	Y2-280S-4	75	2460
		49	5000	76.8	78.1	Y2-280M-4	90	2550
		58.8	6000	75.4	91.8	Y2-315S-4	110	2880
		68.6	7000	74.1	105.6	Y2-315M-4	132	3000
		78.4	8000	72.9	119.4	Y2-315M-4	132	3000
	1450	9.8	1000	93.9	28.4	Y2-225S-4	37	2234
		19.6	2000	91.8	43.9	Y2-250M-4	55	2377
		29.4	3000	90.6	59.4	Y2-280S-4	75	2460
		39.2	4000	89.2	74.9	Y2-280M-4	90	2550
		49	5000	87.9	90.4	Y2-315S-4	110	2880
		58.8	6000	86.6	105.8	Y2-315M-4	132	3000
		68.6	7000	85.9	121.3	Y2-315L1-4	160	3060
		78.4	8000	84.6	135.8	Y2-315L1-4	160	3060
RH30064	730	9.8	1000	54.9	13.5	Y2-200L-8	15	2350
		19.6	2000	52.2	23.0	Y2-250M-8	30	2505
		29.4	3000	50.4	32.5	Y2-280S-8	37	2610
		39.2	4000	48.7	42.1	Y2-315S-8	55	3000
		49	5000	47.1	51.8	Y2-315M-8	75	3150
		58.8	6000	45.4	61.4	Y2-315M-8	75	3150
		68.6	7000	44.2	71.0	Y2-315L1-8	90	3210
		78.4	8000	43.1	80.6	Y2-315L1-8	90	3210

罗茨风机选型参数表

型号	转速(n)	升压 ΔP		进口流量(Q)	轴功率	配套电机		整机重
	r/min	kPa	mmH ₂ O	m ³ /min	kW	型号	kW	kg
RH30064	980	9.8	1000	74.9	19.1	Y2-200L2-6	22	2350
		19.6	2000	73.2	31.9	Y2-250M-6	37	2508
		29.4	3000	71.1	44.6	Y2-280M-6	55	2700
		39.2	4000	69.4	57.4	Y2-315S-6	75	3030
		49	5000	67.9	70.1	Y2-315M-6	90	3150
		58.8	6000	66.2	82.9	Y2-315L1-6	110	3210
		68.6	7000	65.0	95.6	Y2-315L1-6	110	3210
		78.4	8000	63.8	108.4	Y2-315L2-6	132	3350
	1100	9.8	1000	85.1	21.9	Y2-200L-4	30	2370
		19.6	2000	82.3	36.3	Y2-225M-4	45	2420
		29.4	3000	80.7	50.6	Y2-280S-4	75	2610
		39.2	4000	79.1	65.0	Y2-280S-4	75	2610
		49	5000	78.1	79.5	Y2-280M-4	90	2700
		58.8	6000	76.4	93.9	Y2-315S-4	110	3030
		68.6	7000	74.9	108.3	Y2-315M-4	132	3150
		9.8	1000	95.6	25.6	Y2-200L-4	30	2370
	1200	19.6	2000	92.8	41.5	Y2-250M-4	55	2527
		29.4	3000	91.1	57.4	Y2-280S-4	75	2610
		39.2	4000	89.5	73.4	Y2-280M-4	90	2700
		49	5000	87.9	89.4	Y2-315S-4	110	3030
		58.8	6000	86.8	105.5	Y2-315M-4	132	3150
		9.8	1000	103.0	28.8	Y2-225S-4	37	2384
	1300	19.6	2000	100.8	46.1	Y2-250M-4	55	2527
		29.4	3000	98.9	63.0	Y2-280S-4	75	2610
		39.2	4000	97.1	80.4	Y2-280M-4	90	2700
		49	5000	96.0	97.6	Y2-315S-4	110	3030
		58.8	6000	94.3	114.7	Y2-315M-4	132	3150
		9.8	1000	117.3	35.5	Y2-225M-4	45	2420
1450	19.6	2000	114.8	54.9	Y2-280S-4	75	2610	
	29.4	3000	113.2	74.3	Y2-280M-4	90	2700	
	39.2	4000	111.5	93.6	Y2-315S-4	110	3030	
	49	5000	109.9	113.0	Y2-315M-4	132	3150	
	58.8	6000	108.3	132.3	Y2-315L1-4	160	3210	

罗茨风机选型参数表

型号	转速(n)	升压 ΔP		进口流量(Q)	轴功率	配套电机		整机重
	r/min	kPa	mmH ₂ O	m ³ /min	kW	型号	kW	kg
RH30072	740	9.8	1000	60.8	19.8	Y2-225M-8	22	2950
		19.6	2000	59.2	31.1	Y2-280S-8	37	3207
		29.4	3000	57.9	42.4	Y2-280M-8	45	3283
		39.2	4000	57.2	53.7	Y2-315M-8	75	3885
		49	5000	56.3	65.0	Y2-315M-8	75	3885
		58.8	6000	55.8	76.3	Y2-315L1-8	90	3955
		68.6	7000	55.3	87.6	Y2-315L2-8	110	4025
		78.4	8000	54.8	98.9	Y2-315L2-8	110	4025
		88.2	9000	54.0	110.2	Y2-335M1-8	132	4405
		98	10000	53.3	121.6	Y2-335M1-8	132	4405
	820	9.8	1000	68.0	21.6	Y2-225M-6	30	3070
		19.6	2000	66.4	34.0	Y2-250M-6	37	3130
		29.4	3000	65.1	46.4	Y2-280M-6	55	3300
		39.2	4000	64.4	58.8	Y2-315S-6	75	3437
		49	5000	63.5	71.2	Y2-315M-6	90	3477
		58.8	6000	63.0	83.6	Y2-315M-6	90	3477
		68.6	7000	62.5	96.0	Y2-315L1-6	110	3810
		78.4	8000	62.0	108.4	Y2-315L2-6	132	3910
	900	9.8	1000	75.2	23.4	Y2-200L2-6	30	3070
		19.6	2000	73.6	37.0	Y2-280S-6	45	3130
		29.4	3000	72.3	50.6	Y2-280M-6	55	3300
		39.2	4000	71.6	64.2	Y2-315S-6	75	3437
		49	5000	70.7	77.8	Y2-315M-6	90	3477
		58.8	6000	70.2	91.4	Y2-315L1-6	110	3810
		68.6	7000	69.7	105.0	Y2-315L2-6	132	3910
		78.4	8000	69.2	118.6	Y2-315L2-6	132	3910
	980	9.8	1000	82.5	25.0	Y2-225M-6	30	2985
		19.6	2000	80.9	39.7	Y2-280S-6	45	3225
		29.4	3000	79.6	54.5	Y2-315S-6	75	3765
		39.2	4000	78.9	69.3	Y2-315S-6	75	3765
		49	5000	78.0	84.2	Y2-315L1-6	110	3945
		58.8	6000	77.5	99.0	Y2-315L1-6	110	3945
		68.6	7000	77.0	113.9	Y2-315L2-6	132	4005
		78.4	8000	76.5	128.4	Y2-355M1-6	160	4405
		88.2	9000	75.7	142.9	Y2-355M1-6	160	4405
		98	10000	75.0	157.5	Y2-355M2-6	200	4505
	1050	9.8	1000	88.8	26.6	Y2-200L-4	30	2995
		19.6	2000	87.2	42.5	Y2-250M-4	55	3090
		29.4	3000	85.9	58.4	Y2-280S-4	75	3275
		39.2	4000	85.2	74.3	Y2-280M-4	90	3365
		49	5000	84.3	90.3	Y2-315S-4	110	3695
		58.8	6000	83.8	106.4	Y2-315M-4	132	3815
68.6		7000	83.3	122.6	Y2-315L1-4	160	3875	
78.4		8000	82.8	138.6	Y2-315L1-4	160	3875	

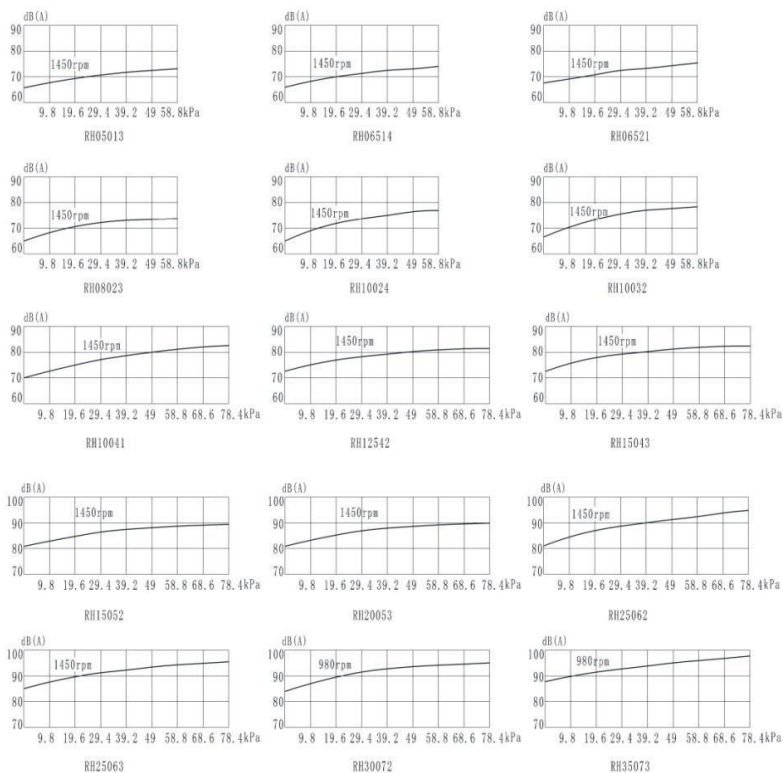
罗茨风机选型参数表

型号	转速(n)	升压 ΔP		进口流量(Q)	轴功率	配套电机		整机重
	r/min	kPa	mmH ₂ O	m ³ /min	kW	型号	kW	kg
RH30072	1120	9.8	1000	95.1	28.2	Y2-225S-4	37	3055
		19.6	2000	93.5	45.3	Y2-250M-4	55	3090
		29.4	3000	92.2	62.3	Y2-280S-4	75	3275
		39.2	4000	91.5	79.4	Y2-280M-4	90	3365
		49	5000	90.6	96.6	Y2-315S-4	110	3695
		58.8	6000	90.1	113.7	Y2-315M-4	132	3815
		68.6	7000	89.6	130.8	Y2-315L1-4	160	3875
		78.4	8000	89.1	147.9	Y2-315L2-4	200	4035
	1190	9.8	1000	101.4	29.8	Y2-225S-4	37	3055
		19.6	2000	99.8	48.0	Y2-250M-4	55	3090
		29.4	3000	98.5	66.2	Y2-280S-4	75	3275
		39.2	4000	97.8	84.4	Y2-315S-4	110	3695
		49	5000	96.9	102.6	Y2-315M-4	132	3815
		58.8	6000	96.4	120.8	Y2-315L1-4	160	3875
		68.6	7000	95.9	139.0	Y2-315L1-4	160	3875
		78.4	8000	95.4	157.2	Y2-315L2-4	200	4035
	1250	9.8	1000	106.8	31.4	Y2-225S-4	37	3055
		19.6	2000	105.2	50.6	Y2-250M-4	55	3090
		29.4	3000	103.9	69.8	Y2-280S-4	75	3275
		39.2	4000	103.2	89.0	Y2-315S-4	110	3695
		49	5000	102.3	108.2	Y2-315M-4	132	3815
		58.8	6000	101.8	127.4	Y2-315L1-4	160	3875
		68.6	7000	101.3	146.6	Y2-315L1-4	160	3875
		78.4	8000	100.8	165.8	Y2-315L2-4	200	4035
RH35073	740	9.8	1000	91.4	27.7	Y2-250M-8	30	3503
		19.6	2000	88.2	44.2	Y2-315S-8	55	4195
		29.4	3000	86.3	60.7	Y2-315M-8	75	4305
		39.2	4000	84.4	77.2	Y2-315L1-8	90	4375
		49	5000	83.1	93.8	Y2-315L2-8	110	4445
		58.8	6000	82.3	110.3	Y2-355M1-8	132	4825
		68.6	7000	81.5	126.9	Y2-355M2-8	160	4925
		78.4	8000	80.7	143.5	Y2-355M2-8	160	4925
		88.2	9000	79.8	160.1	Y2-355L-8	200	5340
	98	10000	79.2	176.7	Y2-355L-8	200	5340	
	820	9.8	1000	102	30.4	Y2-250M-6	37	3550
		19.6	2000	98.8	48.7	Y2-280M-6	55	3720
		29.4	3000	96.9	67	Y2-315S-6	75	3857
		39.2	4000	95	85.3	Y2-315L1-6	110	4230
		49	5000	93.7	103.6	Y2-315L2-6	132	4330
		58.8	6000	92.9	122	Y2-315L2-6	132	4330
		68.6	7000	92.1	140.4	Y2-355M1-6	160	4765
		78.4	8000	91.3	158.7	Y2-355M2-6	200	4885

罗茨风机选型参数表

型号	转速(n)	升压 ΔP		进口流量(Q)	轴功率	配套电机		整机重
	r/min	kPa	mmH ₂ O	m ³ /min	kW	型号	kW	kg
RH35073	900	9.8	1000	112.6	33	Y2-250M-6	37	3550
		19.6	2000	109.4	53.1	Y2-315S-6	75	3857
		29.4	3000	107.5	73.1	Y2-315M-6	90	3897
		39.2	4000	105.6	93.2	Y2-315L1-6	110	4230
		49	5000	104.3	113.3	Y2-315L2-6	132	4330
		58.8	6000	103.5	133.3	Y2-355M1-6	160	4765
		68.6	7000	102.7	153.4	Y2-355M2-6	200	4885
		78.4	8000	101.9	173.4	Y2-355M2-6	200	4885
	980	9.8	1000	123.3	35.6	Y2-280S-6	45	3645
		19.6	2000	120	57.5	Y2-315S-6	75	4185
		29.4	3000	118.2	79.3	Y2-315M-6	90	4285
		39.2	4000	116.3	101.1	Y2-315L1-6	110	4365
		49	5000	115	122.7	Y2-315L2-6	132	4425
		58.8	6000	114.3	144.5	Y2-355M1-6	160	4825
		68.6	7000	113.5	166.6	Y2-355M2-6	200	4925
		78.4	8000	112.6	188.8	Y2-355L-6	250	5350
	1050	88.2	9000	111.8	211	Y2-355L-6	250	5350
		98	10000	111.2	233.1	Y2-355L-6	250	5350
		9.8	1000	132.6	37.9	Y2-225M-4	45	3505
		19.6	2000	129.3	61.5	Y2-280S-4	75	3695
		29.4	3000	127.5	85.1	Y2-315S-4	110	4115
		39.2	4000	125.6	108.7	Y2-315M-4	132	4235
		49	5000	124.3	132.3	Y2-315L1-4	160	4295
		58.8	6000	123.6	155.9	Y2-315L2-4	200	4455
	1120	68.6	7000	122.8	179.5	Y2-315L2-4	200	4455
		78.4	8000	121.9	203.1	Y2-355M-4	250	4855
		9.8	1000	141.9	40.2	Y2-225M-4	45	3505
		19.6	2000	138.6	65.4	Y2-280S-4	75	3695
		29.4	3000	136.8	90.6	Y2-315S-4	110	4115
		39.2	4000	134.9	115.8	Y2-315M-4	132	4235
		49	5000	133.6	141.1	Y2-315L1-4	160	4295
		58.8	6000	132.9	166.3	Y2-315L2-4	200	4455
	1190	68.6	7000	132.1	191.5	Y2-355M-4	250	4855
		78.4	8000	131.2	216.7	Y2-355M-4	250	4855
		9.8	1000	151.2	42.4	Y2-225M-4	55	3510
		19.6	2000	147.9	69.2	Y2-280S-4	75	3695
		29.4	3000	146.1	96	Y2-315S-4	110	4115
		39.2	4000	144.2	122.8	Y2-315L1-4	160	4295
		49	5000	142.9	149.6	Y2-315L2-4	200	4455
		58.8	6000	142.2	176.4	Y2-315L2-4	200	4455
	1250	68.6	7000	141.4	203.2	Y2-355M-4	250	4855
		9.8	1000	160.5	44.6	Y2-250M-4	55	3510
		19.6	2000	157.2	72.7	Y2-280M-4	90	3785
		29.4	3000	155.4	100.8	Y2-315S-4	110	4115
		39.2	4000	153.5	129	Y2-315L1-4	160	4295
		49	5000	152.2	157.1	Y2-315L2-4	200	4455
		58.8	6000	151.5	185.2	Y2-355M-4	250	4855
		68.6	7000	150.7	213.3	Y2-355M-4	250	4855

噪音曲线图



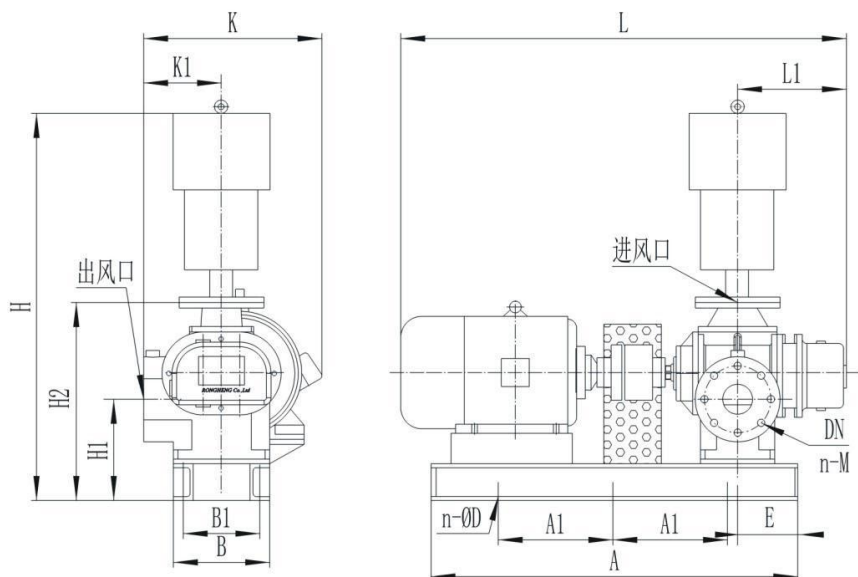
电机型号对应电机极数及功率大小表

电机型号	电机级数及功率(kw)			
	二级	四级	六级	八级
Y2-80M1	0.75	0.55	/	/
Y2-80M2	1.1	0.75	/	/
Y2-90S	1.5	1.1	/	/
Y2-90L	2.2	1.5	/	/
Y2-100L1	3	2.2	/	/
Y2-100L2	3	3	/	/
Y2-112M	4	4	2.2	/
Y2-132S	5.5/7.5	5.5	3	/
Y2-132M		7.5	4/5.5	/
Y2-160M	11	11	7.5	/
Y2-160L	/	15	11	/
Y2-180M	/	18.5	/	/

电机型号	电机级数及功率(kw)			
	二级	四级	六级	八级
Y2-180L	/	22	15	/
Y2-200L	/	30	18.5/22	15
Y2-225S	/	37	/	18.5
Y2-225M	/	45	30	22
Y2-250M	/	55	37	30
Y2-280S	/	75	45	37
Y2-280M	/	90	55	45
Y2-315S	/	110	75	55
Y2-315M	/	132	90	75
Y2-315L1	/	160	110	90
Y2-315L2	/	200	132	110
Y2-355M	/	250	160/200	132/160
Y2-355L	/	315	250	200

RH05013/RH06514/RH06521/RH08023/RH10024

直联传动鼓风机外形及安装尺寸图

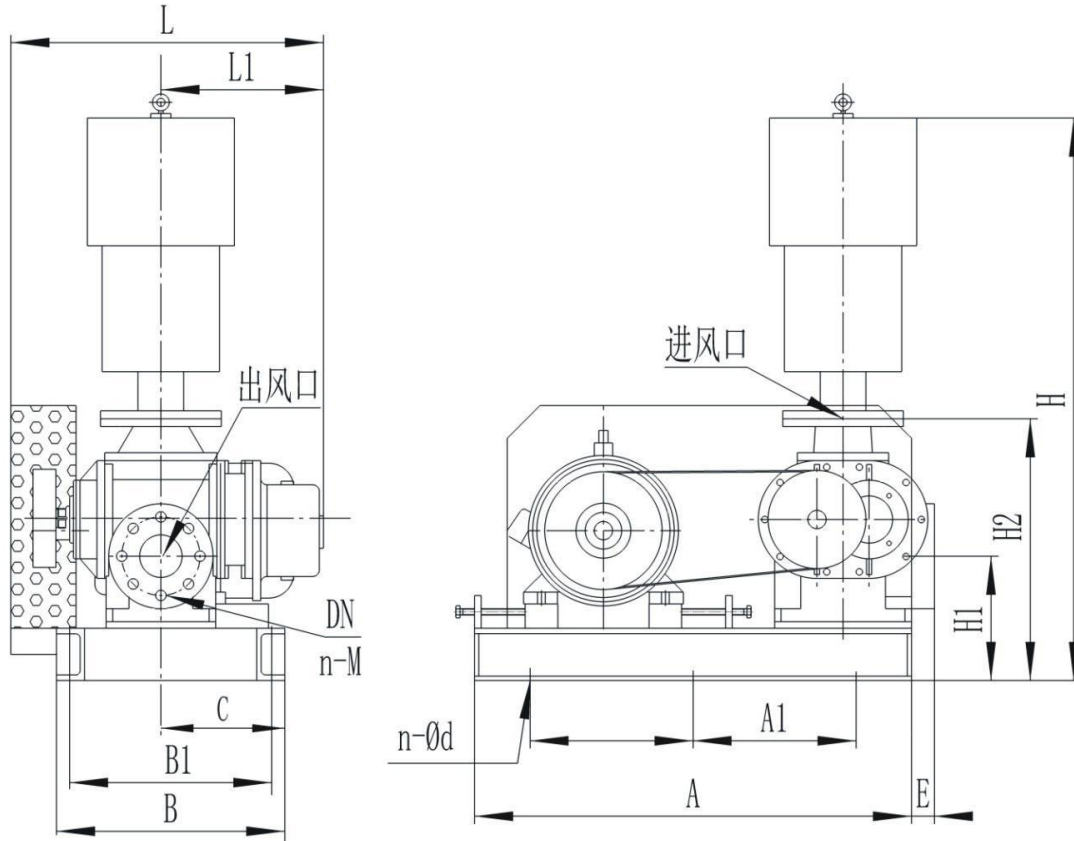


单位: mm

风机型号	配套电机	L	L1	A	A1	B	B1	E	H	H1	H2	DN	K	K1	n-M	n-φD
RH05013	Y2-90S	759	230	660	250	250	210	116	1080	220	430	50	365	170	4-M16	6-φ14
	Y2-90L	784		660									390			
	Y2-100L	824		680									400			
	Y2-112M	839		680									420			
	Y2-132S	909		720									420			
RH06514	Y2-90S	796	250	700	250	250	210	131	1080	220	430	65	365	170	4-M16	6-φ14
	Y2-90L	821		700									390			
	Y2-100L	861		710									400			
	Y2-112M	876		710									420			
	Y2-132S	946		750									420			
	Y2-132M	986		830									420			
Y2-160M	1091	870	465													
RH06521	Y2-90S	908	245	860	250	330	290	142.5	1135	220	485	65	410	180	4-M16	6-φ14
	Y2-90L	933											410			
	Y2-100L	978											410			
	Y2-112M	998											420			
	Y2-132S	1073											440			
	Y2-160M	1198											440			
RH08023	Y2-100L	940	280	760	250	330	290	142.5	1135	220	485	80	410	180	8-M16	6-φ14
	Y2-112M	955		800									420			
	Y2-132S	1025		800									440			
	Y2-132M	1065		880									440			
	Y2-100L	1040		820									410			
RH10024	Y2-112M	1055	330	860	300	330	290	192.5	1285	220	485	100	410	180	8-M16	6-φ14
	Y2-132S	1125		900									440			
	Y2-132M	1165		940									440			
	Y2-100L	1040		820									410			
	Y2-160M	1270		1020									485			

RH05013/RH06514/RH06521/RH08023/RH10024

皮带传动鼓风机外形及安装尺寸图

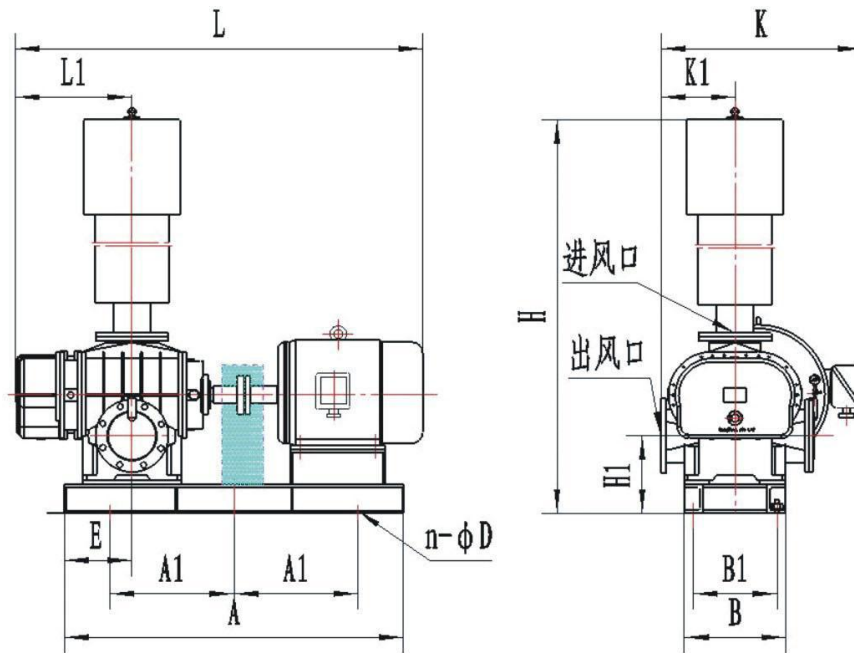


单位: mm

风机型号	配套电机	A	A1	B	B1	C	E	MaxL	L1	H	H1	H2	DN	n-φD	n-M
RH05013	≤7.5kw	700	250	370	330	212	65	540	230	1080	220	430	50	6-φ14	4-M16
RH06514	≤7.5kw					197			250				65		
RH06521	≤7.5kw	800	320			158	130	575	282	1180		515	65		
RH08023	≤7.5kw	800	320	450	410	137	57	550	280	1135	485	80	6-φ18	8-M16	
RH10024	≤11kw					167			650			330			1285

RH10032/RH12533/RH10041

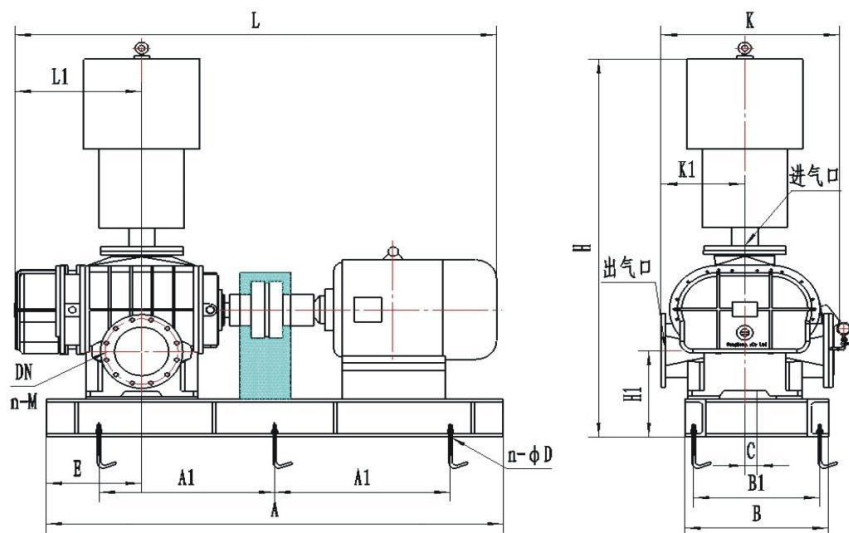
直联传动鼓风机外形及安装尺寸图



单位: mm

风机型号	配套电机	L	L1	A	A1	B	B1	E	H	H1	DN	K	K1	n-M	n-φD
RH10032	Y2-112M	1050	360	900	350	325	285	171	1410	250	100	483	230	8-M16	6-φ18
	Y2-132S	1120		900								503			
	Y2-132M	1160		950								503			
	Y2-160M	1265		1040	450							548			
	Y2-160L	1320		1080								548			
	Y2-180M	1350		1120								573			
	Y2-180L	1390		1150								573			
RH12533	Y2-132S	1175	415	1000	400	325	285	226	1580	250	125	503	230	8-M16	6-φ18
	Y2-132M	1215		1050								503			
	Y2-160M	1320		1150	450							548			
	Y2-160L	1375		1190								548			
	Y2-180M	1405		1190								573			
	Y2-180L	1445		1230								573			
	Y2-200L	1475		1280	450							598			
RH10041	Y2-132S	1180	380	850	400	385	345	139	1425	240	100	545	255	8-M16	6-φ18
	Y2-132M	1220		900								545			
	Y2-160M	1325		950								590			
	Y2-160L	1380		1050	450							590			
	Y2-180M	1410		1050								615			
	Y2-180L	1450		1090								615			
	Y2-200L	1480		1140								395			

RH12542/RH15043/RH15044
直联传动鼓风机外形及安装尺寸图

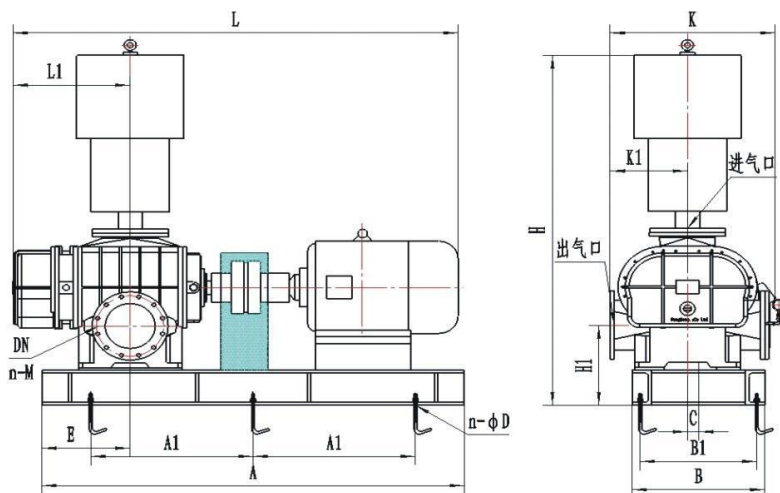


单位:mm

风机型号	配套电机	L	L1	A	A1	B	B1	C	E	H	H1	DN	K	K1	n-M	n-φD
RH12542	Y2-132M	1320	420	1000	400	385	345	/	189	1595	240	125	545	255	8-M16	6-φ18
	Y2-160M	1425		1050									590			
	Y2-160L	1480		1150	590											
	Y2-180M	1510		1150	615											
	Y2-180L	1550		1190	615											
	Y2-200L	1580		1240	640											
	Y2-225S	1625		1270	670											
	Y2-225M	1655		1290	670											
RH15043	Y2-132M	1395	458	1130	500	385	345	/	227	1915	260	150	560	270	8-M20	6-φ18
	Y2-160M	1500		1180									605			
	Y2-160L	1555		1220									605			
	Y2-180M	1585		1230									630			
	Y2-180L	1625		1270									630			
	Y2-200L	1655		1320									655			
	Y2-225S	1700		1350									685			
	Y2-225M	1730		1370									685			
Y2-250M	1795	1450	460	410	32.5	1975	320	720								
RH15044	Y2-160M	1625	520	1210	500	385	345	/	289	1915	260	150	605	270	8-M20	6-φ18
	Y2-160L	1680		1260									605			
	Y2-180M	1710		1300									630			
	Y2-180L	1750		1310									630			
	Y2-200L	1780		1440									655			
	Y2-225S	1825		1470									685			
	Y2-225M	1855		1490									685			
	Y2-250M	1920		1575									460			

RH15052/RH20053/RH25054

直联传动鼓风机外形及安装尺寸图

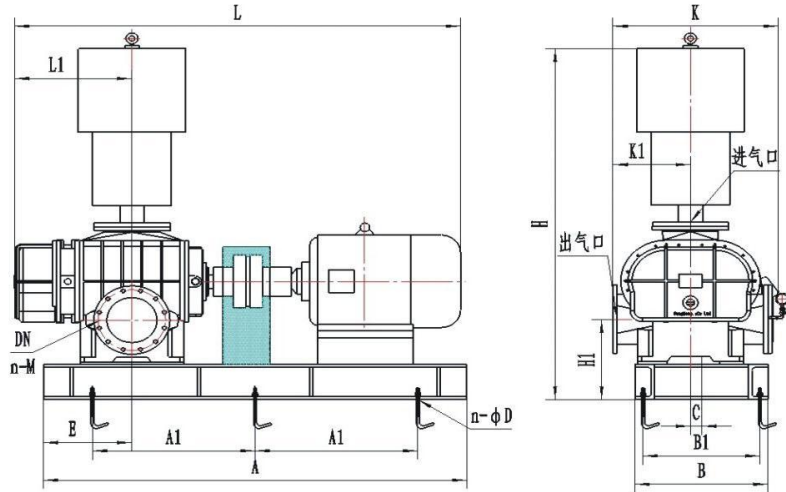


单位: mm

风机型号	配套电机	L	L1	A	A1	B	B1	C	E	H	H1	DN	K	K1	n-M	n-φD
RH15052	Y2-160L	1712	495	1280	550	535	480	32.5	240	1997	362	150	683	324	8-M20	6-φ22
	Y2-180M	1742		1280									708			
	Y2-180L	1782		1320									708			
	Y2-200L	1812		1370	733											
	Y2-225S	1857		1400	600	763										
	Y2-225M	1887		1420		763										
	Y2-250M	1952		1480		798										
	Y2-280S	2027		1555	600	545	65	838								
	Y2-280M	2077		1600	660	595	95	838								
Y2-315S	2312	1660	660	595	95	958										
RH20053	Y2-160L	1812	545	1380	600	535	480	32.5	290	1997	362	200	683	324	8-M20	6-φ22
	Y2-180M	1842		1380									708			
	Y2-180L	1882		1420									708			
	Y2-200L	1912		1470	733											
	Y2-225S	1957		1500	600	763										
	Y2-225M	1987		1530		763										
	Y2-250M	2052		1590		798										
	Y2-280S	2127		1655	600	545	65	838								
	Y2-280M	2177		1700	660	595	95	838								
Y2-315S	2412	1760	700	660	595	95	958									
RH25054	Y2-180L	2002	605	1560	600	535	480	32.5	350	2577	382	250	708	324	12-M20	6-φ22
	Y2-200L	2032		1610									733			
	Y2-225S	2077		1630									763			
	Y2-225M	2107		1650	700	763										
	Y2-250M	2172		1700		798										
	Y2-280S	2247		1780		600	545	65					838			
	Y2-280M	2297		1820	660	595	95	838								
	Y2-315S	2532		1880	660	595	95	958								
	Y2-315M	2562		1910	660	595	95	958								

RH25062/RH25063/RH30064

直联传动鼓风机外形及安装尺寸图

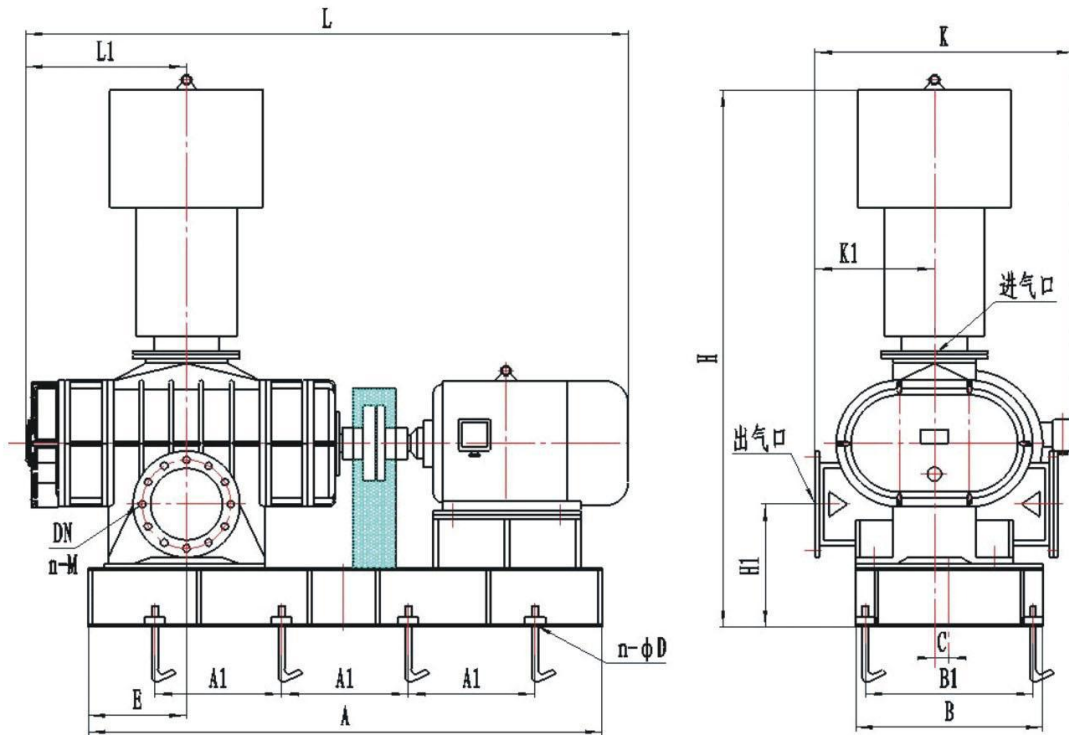


单位: mm

风机型号	配套电机	L	L1	A	A1	B	B1	C	E	H	H1	DN	K	K1	n-M	n-φD								
RH25062	Y2-180L	1808	575	1430	600	615	550	35	268	2672	432	250	816	410	12-M20	6-φ22								
	Y2-200L	1838		1480									841											
	Y2-225S	1883		1500									871											
	Y2-225M	1913		1520	700	725	660	83					2692				452	1066						
	Y2-250M	1978		1570															906					
	Y2-280S	2053		1630															946					
	Y2-280M	2103		1680	630	700	725	660					83				322	2672	432	250	841	410	12-M20	6-φ22
	Y2-315S	2338		1750																	871			
	Y2-315M	2368		1780																	906			
Y2-315L	2368	1830	700	725		660	83	2692	452	1066														
Y2-200L	1948	1570									946													
Y2-225S	1993	1590									700	725	660	83	2692	452					1066			
Y2-225M	2023	1610																						
Y2-250M	2088	1660																						
Y2-280S	2163	1740	700	700		725	660	83	390	2772	432	300	841	410	12-M20	6-φ22								
Y2-280M	2213	1800			871																			
Y2-315S	2448	1850			906																			
Y2-315M	2478	1900		750	725	660	83	2792					452				1066							
Y2-315L1	2478	1950																946						
Y2-315L2	2478	1990																700	725	660	83	2792	452	1066
Y2-200L	2083	1710		841																				
Y2-225S	2128	1730		871																				
Y2-225M	2158	1750		700	725	660	83	2792					452				1066							
Y2-250M	2223	1800	906																					
Y2-280S	2298	1880	946																					
Y2-280M	2348	1930	750	725	660	83	2792	452	1066															
Y2-315S	2583	1940																						
Y2-315M	2613	1980																						
Y2-315L1	2613	2030	700	725	660	83	2792	452	1066															
Y2-315L2	2613	2030																						

RH30072/RH35073

直联传动鼓风机外形及安装尺寸图

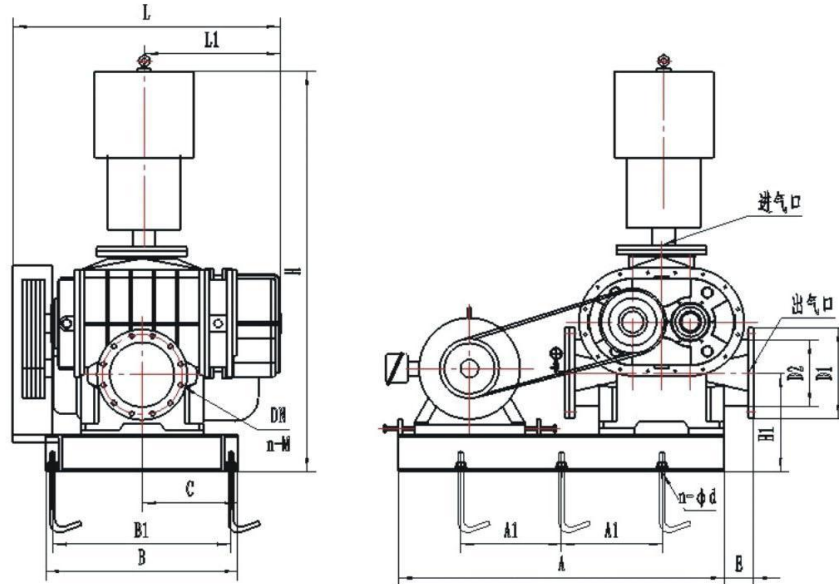


单位: mm

风机型号	配套电机	L	L1	A	A1	B	B1	C	E	H	H1	DN	K	K1	n-M	n-φD
RH30072	Y2-225M	2360	825	2040	600	885	815	45	335	2960	560	300	1065	565	12-M20	8-φ28
	Y2-250M	2425		1100												
	Y2-280S	2500		1140												
	Y2-280M	2550		1140												
	Y2-315S	2785		1260												
	Y2-315M	2815		1260												
	Y2-315L	2815		1260												
	Y2-355M	3045		1385												
Y2-355L	3045	1385														
RH35073	Y2-250M	2665	945	2270	600	885	815	45	455	3060	560	350	1110	565	16-M20	8-φ28
	Y2-280S	2740		1140												
	Y2-315S	3025		1260												
	Y2-315M	3055		1260												
	Y2-315L	3055		1260												
	Y2-355M	3285		1385												
	Y2-355L	3285		1385												

RH10032~RH35073

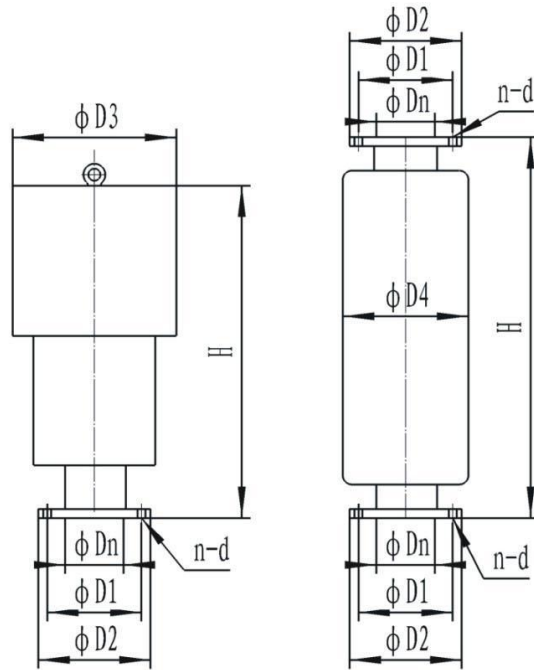
皮带传动鼓风机外形及安装尺寸图



单位: mm

风机型号	电机功率kw	A	A1	B	B1	C	E	MaxL	L1	H	H1	Dn	D1	D2	n-φD	n-M
RH10032	≤15Kw	880	350	460	410	207	67.5	770	360	1410	250	100	φ220	φ180	6-φ18	8-M16
	≤22Kw	950		510	460	257										
RH12533	≤15Kw	880	350	510	460	202.5	67.5	838	415	1580	250	125	φ250	φ210	6-φ18	8-M16
	≤22Kw	950														
RH12542	≤22Kw	1060	400	490	440	200	55	840	420	1595	240	125	φ250	φ210	6-φ18	8-M16
	≥30Kw	1120		580	530	290				1615	260					
RH15043	≤22Kw	1060	400	540	490	240.5	80	915	458	1915	260	150	φ285	φ240	6-φ18	8-M20
	≥30Kw	1120		580	530	282.5				1935	280					
RH15044	≤45Kw	1120	400	670	620	308	80	1040	520	1935	280	150	φ285	φ240	6-φ18	8-M20
RH15052	≤45Kw	1300	500	560	500	253	90	1025	495	1997	362	150	φ285	φ240	6-φ22	8-M20
	≥55Kw	1300		660	600	350										
RH20053	≤45Kw	1300	500	660	600	303	90	1095	545	1997	362	200	φ340	φ295	6-φ22	8-M20
	≥55Kw	1300		710	650	350										
RH25054	≤90Kw	1300	500	790	730	363	90	1300	605	2577	382	250	φ395	φ350	6-φ22	12-M20
RH25062	≤90Kw	1550	600	750	680	407.5	135	1065	575	2672	432	250	φ395	φ350	6-φ22	12-M20
	≥110Kw	1600		900	830	557.5		1330		2692	452					
RH25063	≤90Kw	1550	600	750	680	340.5	135	1065	630	2672	432	250	φ395	φ350	6-φ22	12-M20
	≥110Kw	1600		900	830	502.5		1330		2692	452					
RH30064	≤90Kw	1550	600	860	790	403	135	1065	700	2772	432	300	φ445	φ400	6-φ22	12-M20
	≥110Kw	1600		960	890	502		1330		2792	452					
RH30072	≤160Kw	1920	500	960	890	350	192	1585	825	2960	560	300	φ445	φ400	8-φ28	12-M20
RH35073	≤160Kw	1920	500	1200	1130	470	192	1825	945	3060	560	350	φ505	φ460	8-φ28	16-M20

消声器外形及安装尺寸图

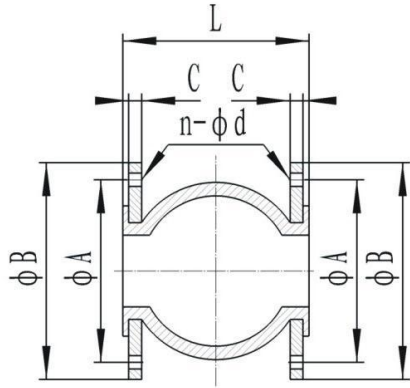


单位:mm

风机型号	进口消声器						出口消声器					
	ΦD1	ΦD2	ΦD3	DN	H	n-d	ΦD1	ΦD2	DN	ΦD4	H	n-d
RH05013	125	165	230	50	650	4-φ18	125	165	50	180	750	4-φ18
RH06514	145	185	230	65	650	4-φ18	145	185	65	200	850	4-φ18
RH06521												
RH08023	160	200	230	80	650	8-φ18	160	200	80	200	850	8-φ18
RH10024	180	220	300	100	800	8-φ18	180	220	100	250	1000	8-φ18
RH10032												
RH10041												
RH12533	210	250	360	125	970	8-φ18	210	250	125	280	1250	8-φ18
RH12542												
RH15043	240	285	430	150	1250	8-φ22	240	285	150	320	1500	8-φ22
RH15044												
RH15052												
RH20053	295	340	460	200	1250	8-φ22	295	340	200	360	1500	8-φ22
RH25054	350	395	520	250	1700	12-φ22	350	395	250	400	1700	12-φ22
RH25062												
RH25063												
RH30064	400	445	600	300	1700	12-φ22	400	445	300	500	1800	12-φ22
RH30072												
RH35073	460	505	630	350	1800	16-φ22	460	505	350	550	2100	16-φ22

弹性接头规格尺寸图

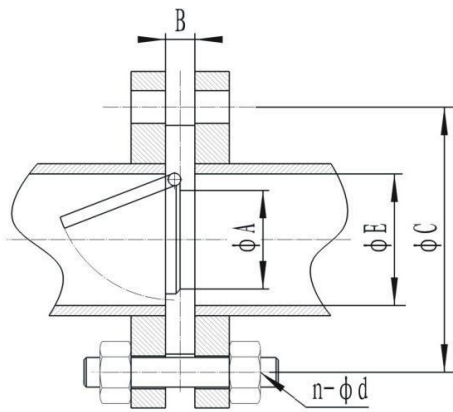
单位: mm



型号	通径	Φ A	Φ B	C	n-Φ d	L
DN50	50	125	165	18	4-Φ18	105
DN65	65	145	185	20	4-Φ18	115
DN80	80	160	200	20	8-Φ18	135
DN100	100	180	220	22	8-Φ18	150
DN125	125	210	250	24	8-Φ18	165
DN150	150	240	285	24	8-Φ22	180
DN200	200	295	340	24	8-Φ22	190
DN250	250	350	395	28	12-Φ22	230
DN300	300	400	445	28	12-Φ22	230
DN350	350	460	505	28	16-Φ22	260

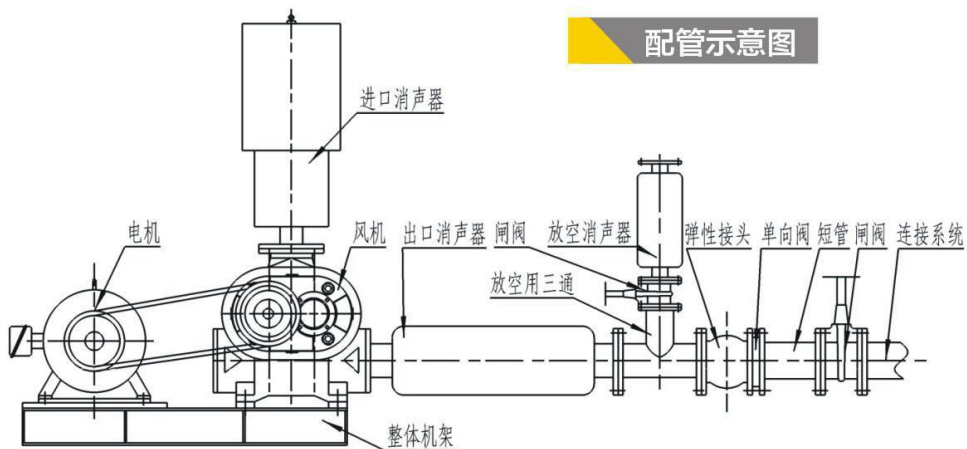
单向阀规格及安装尺寸图

单位: mm



型号	通径	Φ A	B	Φ C	n-Φ d	MinE
DVC-50	50	35	15	125	4-Φ18	51
DVC-65	65	45	15	145	4-Φ18	66
DVC-80	80	55	15	160	8-Φ18	80
DVC-100	100	75	15	180	8-Φ18	102
DVC-125	125	95	20	210	8-Φ18	126
DVC-150	150	110	20	240	8-Φ22	150
DVC-200	200	144	24	295	8-Φ22	200
DVC-250	250	185	30	350	12-Φ22	250
DVC-300	300	230	30	400	12-Φ22	300
DVC-350	350	320	30	460	16-Φ22	350

配管示意图





—— 拓品质 传天下 ——

高效HIGH-EFFICIENCY 节能ENERGY-SAVING
低噪音LOW-NOISE 无振动NO-VIBRATION

联系我们：
Contact Us:

地址: 江苏省海门市余东工业园区
电话: 0513-68903288
传真: 0513-68903300
邮箱: sales@rh-cn.com
www.rh-cn.com

